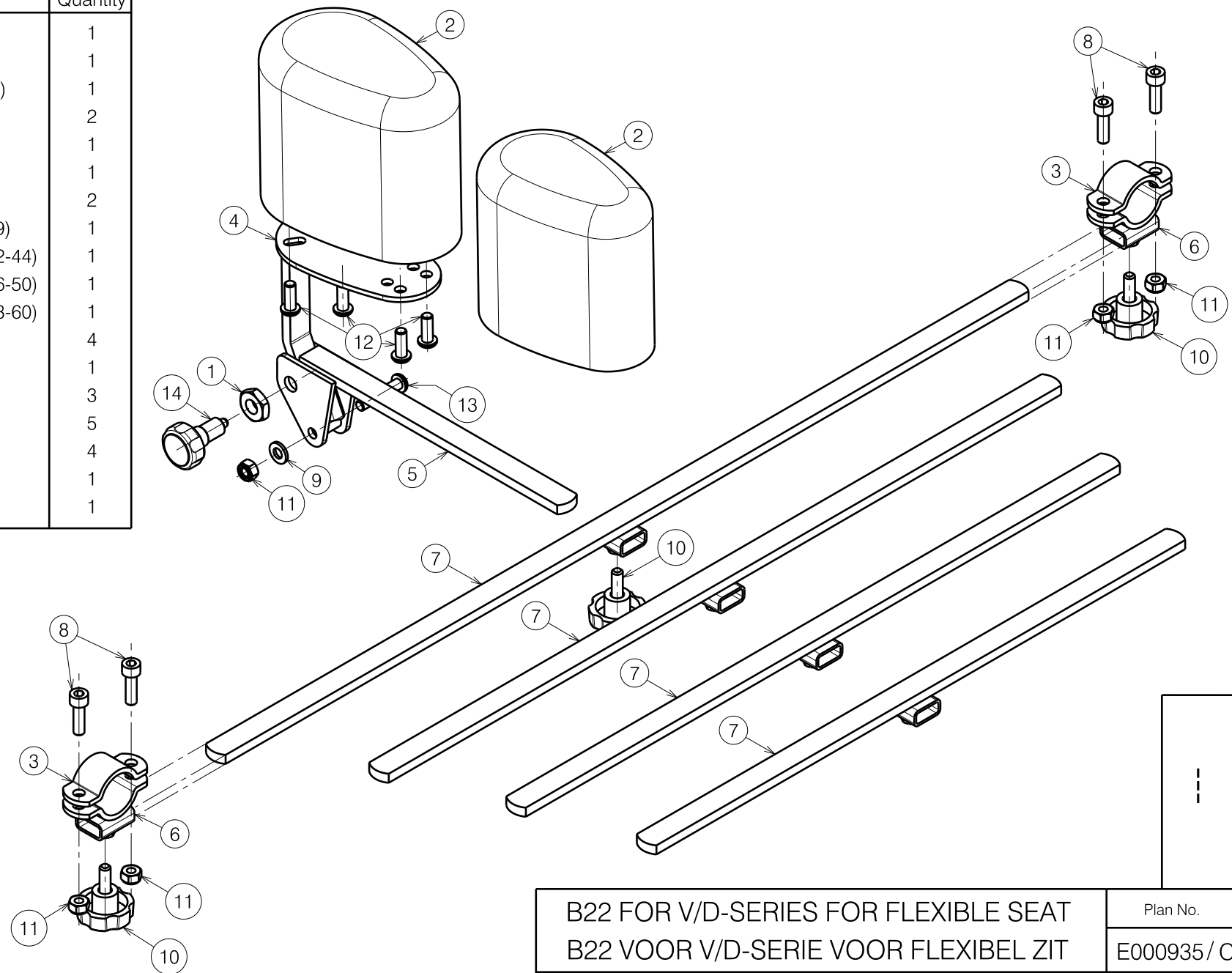


Material			
No.	Plan	Article	Quantity
1	X001398	1009689	1
2	XP00816	2991000 (L)	1
	XP00817	2991001 (M)	1
3	Y002783	1436154	2
4	Y012545	1671600	1
5	Y012546	1671700	1
6	Y019285	1782854	2
7	Y021838	2017854 (39)	1
	Y021840	2017954 (42-44)	1
	YP00436	1813254 (46-50)	1
	Y019284	1782754 (53-60)	1
8	M6x20 DIN912/8.8	1001493	4
9	M6 DIN125A	1001564	1
10	VGF M6x15	1001577	3
11	M6 DIN985	1001680	5
12	M6x16	1008459	4
13	M6x30	1009588	1
14	Ø25 M10x1	1999935	1



E000935 / C

B22 FOR V/D-SERIES FOR FLEXIBLE SEAT B22 VOOR V/D-SERIE VOOR FLEXIBEL ZIT				Plan No. E000935 / C
Scale: 1:3	Drafted	Verified	Confirmed	
Date	18/10/2012	05/01/2016	05/01/2016	
Initials	TT	MK	PJ	