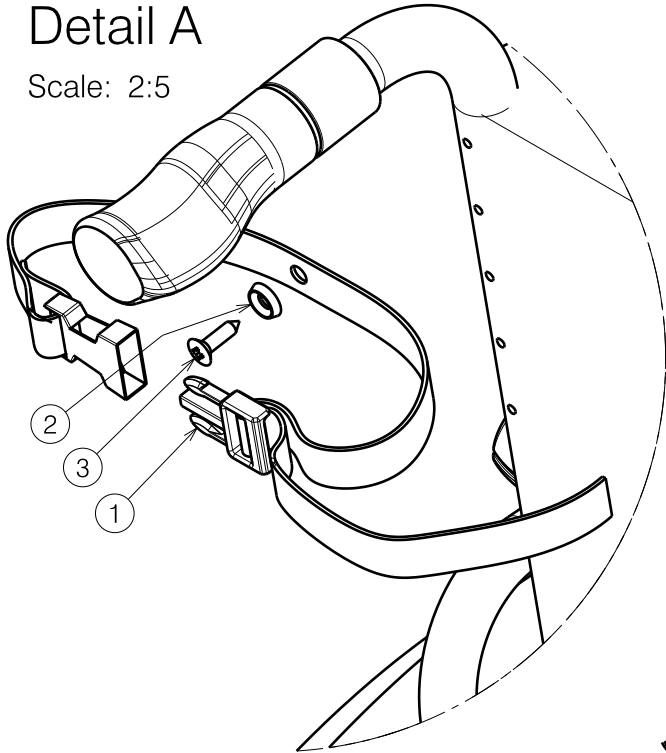


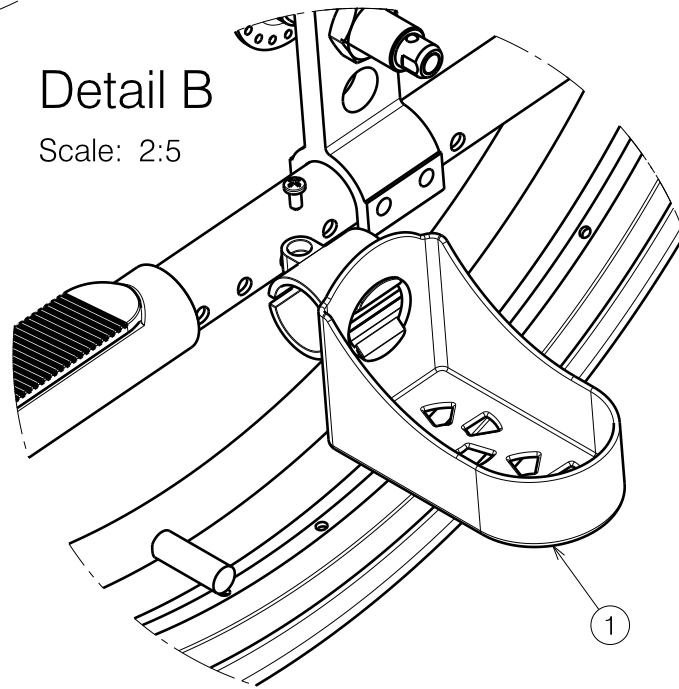
# Detail A

Scale: 2:5

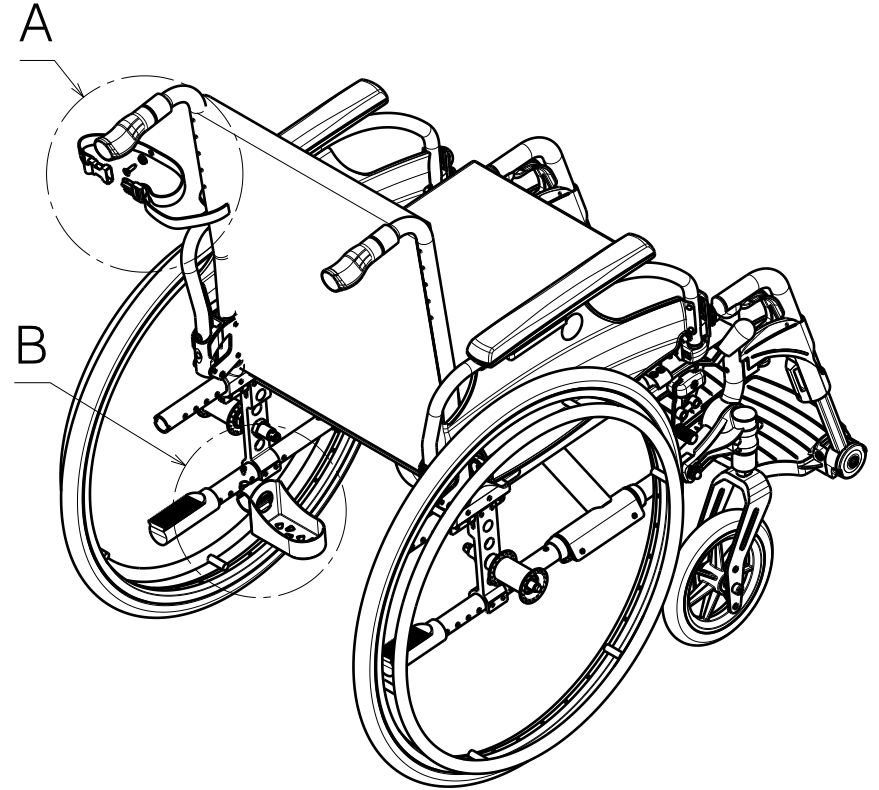


# Detail B

Scale: 2:5



Material			
No.	Plan	Article	Quantity
1	---	1906616	1
2	X001473	1002994	1
3	---	1001534	1



E000685 / B

B31 CRUTCH HOLDER V200-V300 B31 KRUKKENHOUDER V200-V300				Plan No. E000685 / B
Scale: 1:10	Drafted	Verified	Confirmed	
Date	04/02/2011	04/02/2011	04/02/2011	
Initials	DD	SD	PJ	