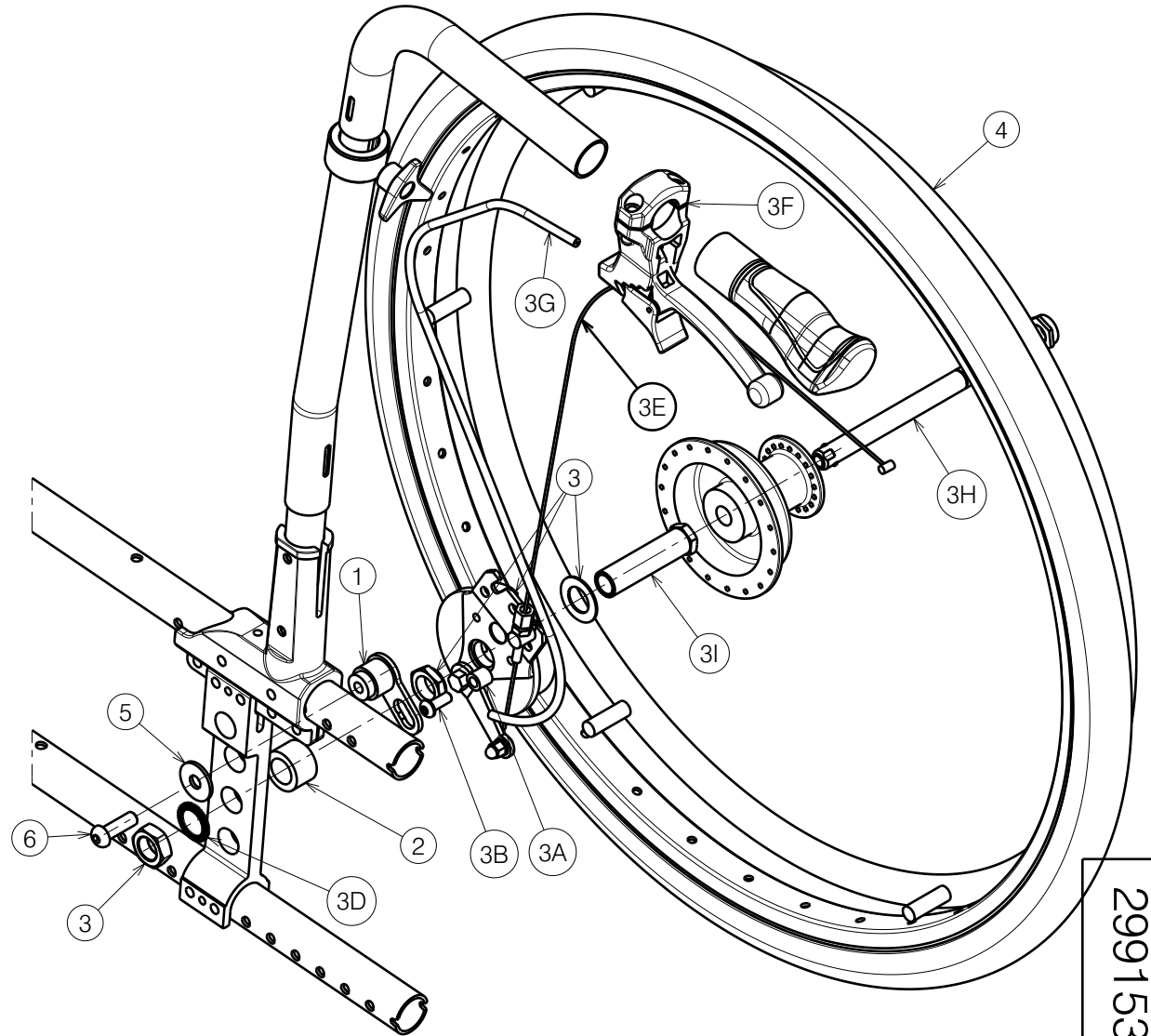
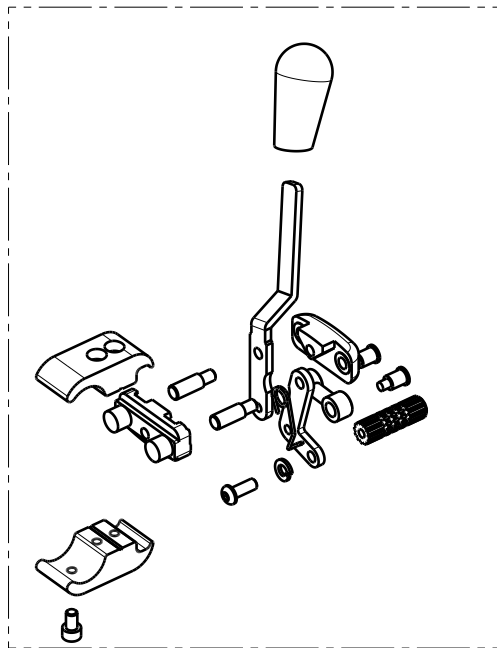


Material			
No.	Plan	Article	Quantity
1	Y016096	1737800	2
2	X003986	1902199	2
3	---	1906523 (L)	1
	---	1906524 (R)	1
3A	X005545	2019900	2
3B	M6x16 ISO7380	1008459	2
3C*	---	1004109	2
3D	M16 type S DIN17222	1911653	2
3E	---	1004094	2
3F	---	1992969	2
3G	---	1993218	(2x) 0,75 m
3H	X005720	1905243	2
3I	X005544	1912111	2
4	---	1905239 (PU)	2
	---	1908445 (Air)	2
5	M8 DIN9021	1996574	2
6	M8x25 ISO7380	1990501	2
7	E000916	1910159 (L)	1
	E000916	1910160 (R)	1

* Not depicted



Right side only depicted

2991539

E000804 / I

V300D DETACHABLE DRUM BRAKE WHEELS				Plan No. E000804 / I
Scale: 1:4	Drafted	Verified	Confirmed	
Date	17/01/2012	18/01/2023	18/01/2023	
Initials	SD	SD	PJ	