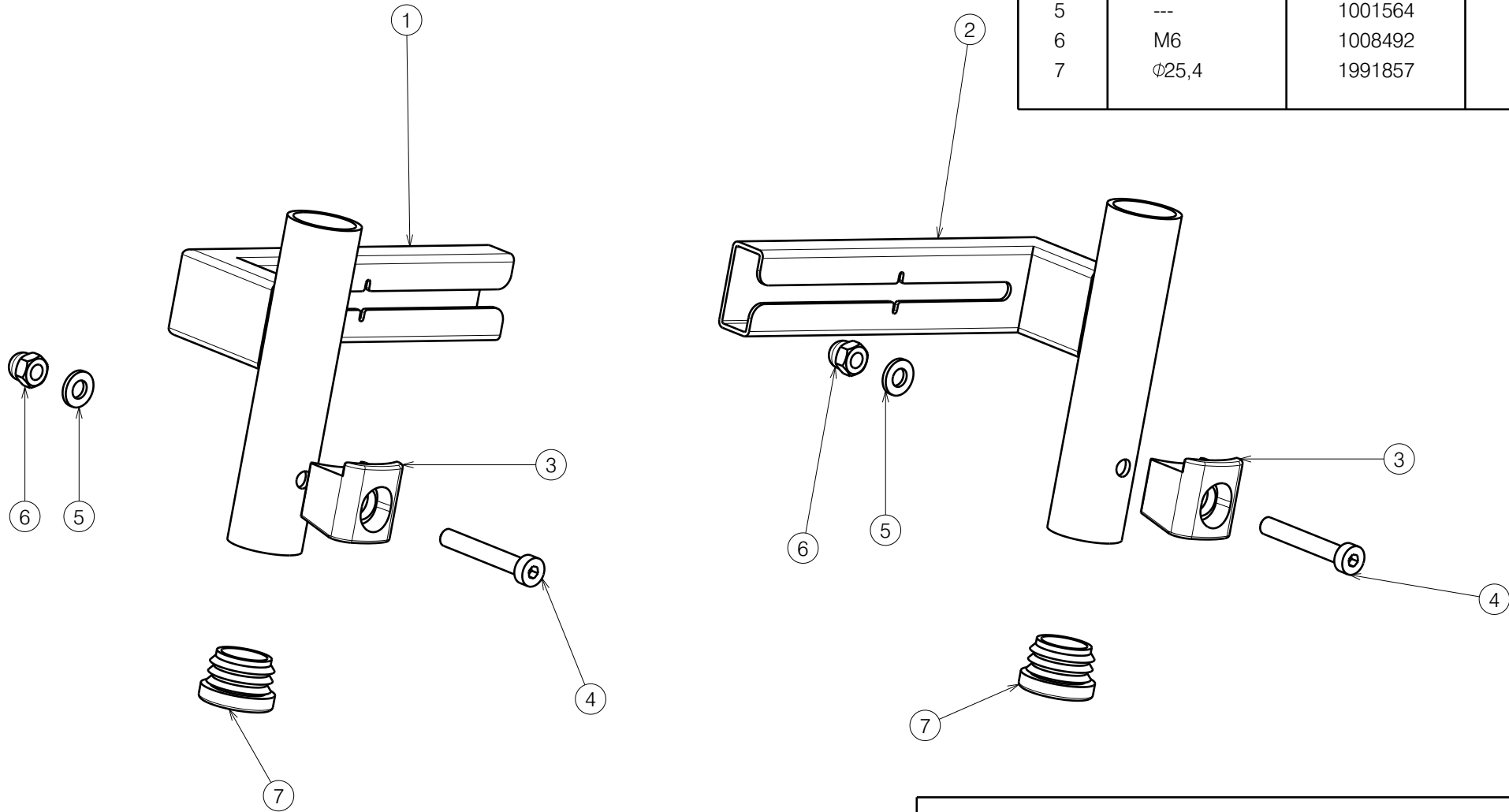


Material			
No.	Plan	Article	Quantity
1	YP09078	26339	1
2	YP09079	26338	1
3	X002135	1992405	2
4	M6X40	1006850	2
5	---	1001564	2
6	M6	1008492	2
7	Ø25,4	1991857	2



EP00589 / A

INOVYS 2 35 ATTACHMENT BA6/BB6/BN6				Plan No.
				EP00589 / A
Scale: 1:2	Drafted	Verified	Confirmed	
Date	24/06/2021	24/06/2021	24/06/2021	
Initials	AS	AZ	TK	