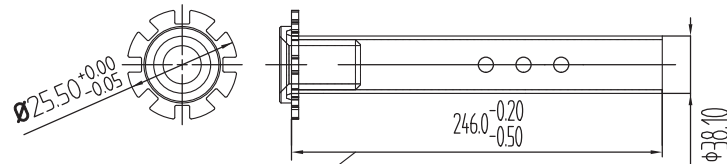
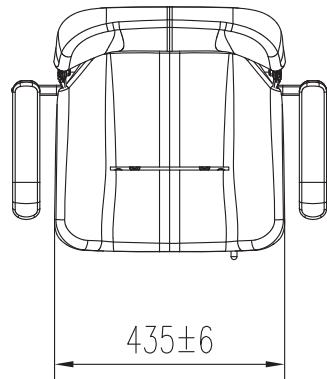


Bottom View



7

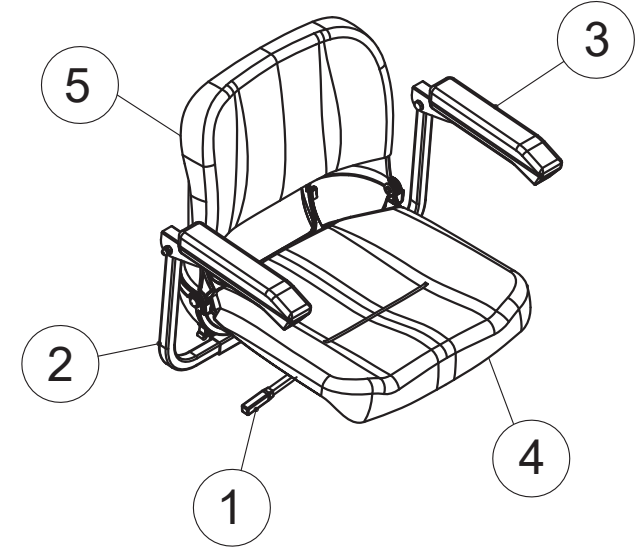
| Material |         |         |        |
|----------|---------|---------|--------|
| No.      | Plan    | Article | Number |
| 1        | ---     | 3992289 | 1      |
| 2        | ---     | 3992290 | 1      |
| 3        | ---     | 3992291 | 1      |
| 4        | ---     | 3992294 | 1      |
| 5        | ---     | 3992295 | 1      |
| 6        | ---     | 3992296 | 1      |
| 7        | XC00553 | 3992292 | 1      |
| 8        | XC00666 | 3992522 | 2      |
| **9      | ---     | 1001443 | 2      |

\*1-7料号仅用于售后服务

\*1-7Only for customer service

\*\* 表示在图面中不显示

\*\* =not depicted.



EC00363/B

|                                |            |            |            |           |
|--------------------------------|------------|------------|------------|-----------|
| SV ERIS SEAT/BACK COMPLETE SET |            |            |            | Plan No.  |
|                                |            |            |            | EC00363/B |
| Scale:1:12                     | Drafted    | Verified   | Confirmed  |           |
| Date                           | 24/05/2017 | 15/07/2020 | 15/07/2020 |           |
| Init                           | KZ         | Anna       | TG         |           |