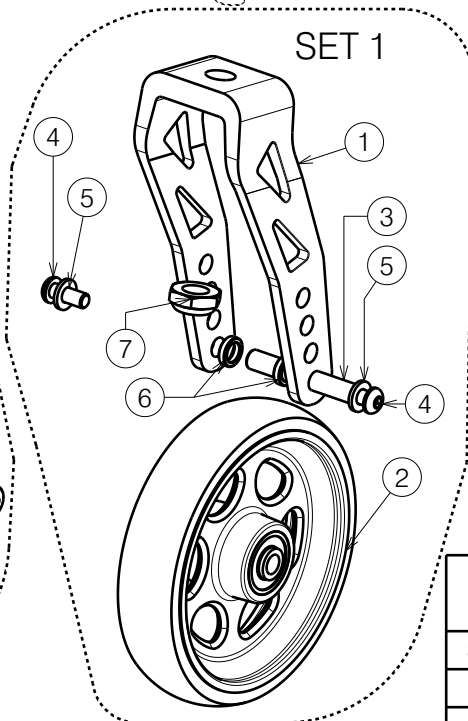
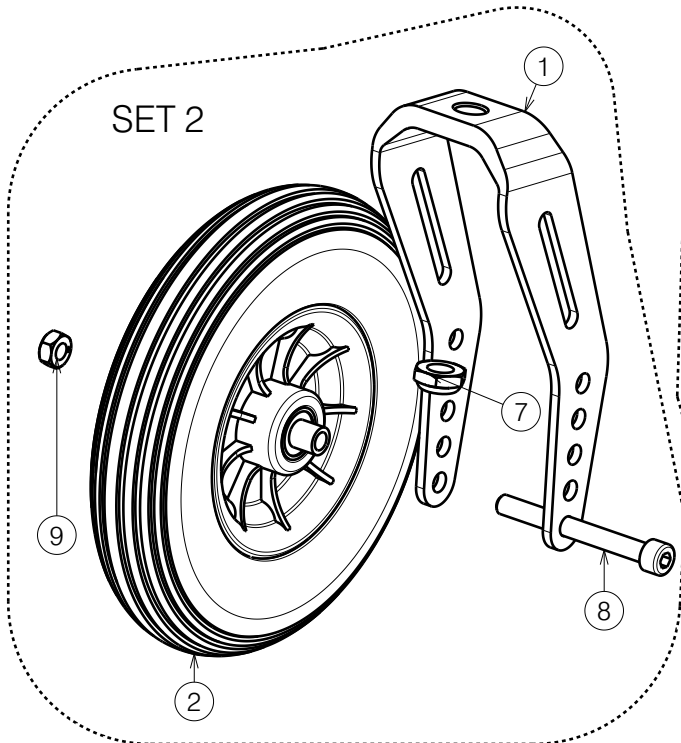
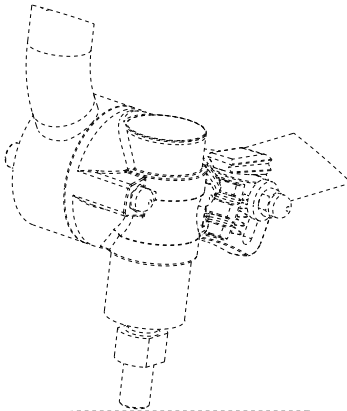


SET 2 Front wheels			
No.	Plan	Article	Quantity
1	P00023627	2997060	2
2	200x50	1915352	2
7	M12x1,25	1994605	2
8	M8x76 DIN7984	2994912	2
9	M8	1915942	2

Front wheels for rear wheels 22"			
No.	Plan	Article	Quantity
1	---	1992599	2
2	PU Wheel 6"	1914611	2
7	M12x1,25	1994605	2
8	M8x76 DIN7984	2994912	2
9	M8	1915942	2

- Only left side depicted  
 - Quantities are for one wheelchair  
 \* Option

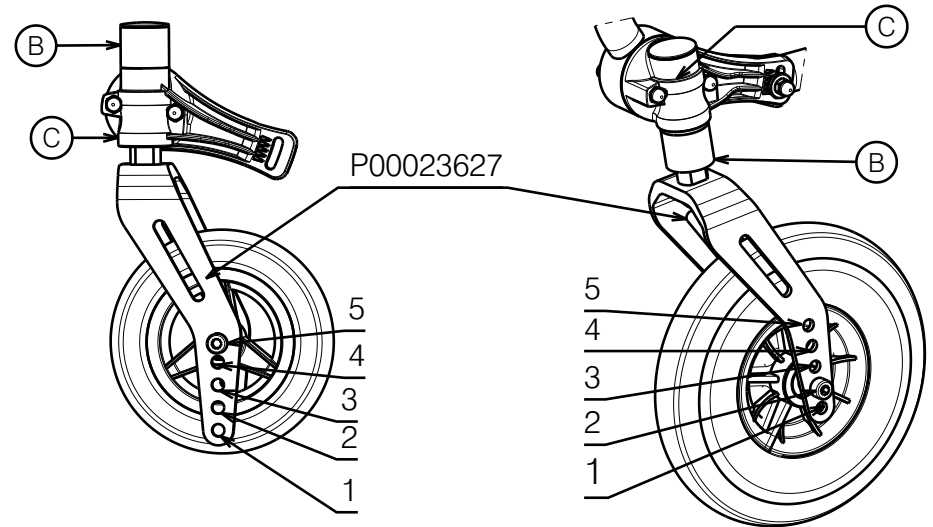
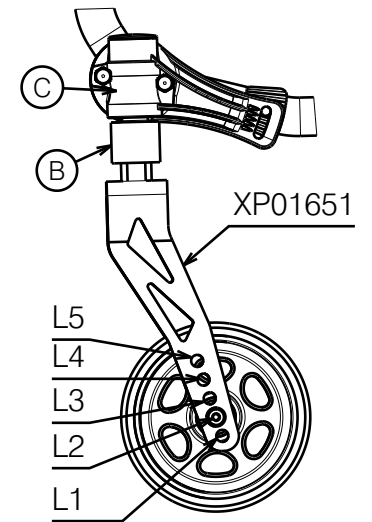
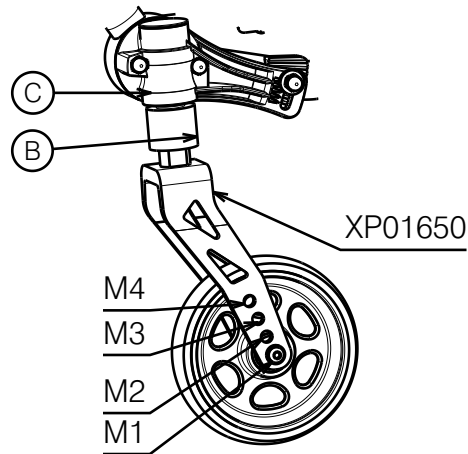


SET 1 Front wheels			
No.	Plan	Article	Quantity
1	XP01650	GP10399	2
	*	GP10352	2
2	XP01651	GP10499	2
	*	GP10452	2
	wheel 3"(Black)	2990568	2
	wheel 4"(Black)	2995655	2
	wheel 5"(Black)	2995656	2
	wheel 6"(Black)	2995657	2
	wheel 3"(Traspar.)	2990959	2
	wheel 4"(Traspar.)	2990960	2
	wheel 5"(Traspar.)	2990962	2
	wheel 4"(Led)	2990961	2
	wheel 5"(Led)	2990963	2
	wheel 3" SILVER	2993905	2
	wheel 3" RED	1914839	2
	wheel 3" BLUE	1914840	2
	wheel 4" SILVER	2993906	2
	wheel 4" RED	1914841	2
	wheel 4" BLUE	1914842	2
	wheel 5" SILVER	2993907	2
	wheel 5" RED	1914843	2
	wheel 5" BLUE	1914844	2
wheel 4" carbon	2993716	2	
wheel 5" carbon	2993717	2	
3	XP00341	1854900	2
4	M6x16 ISO7380	2994067	4
5	M6 DIN125	2994068	4
6	P00049308	2997553	4
7	XP00339(wheel Led,trans)	GP00044	4
	M12x1,25	1994605	2

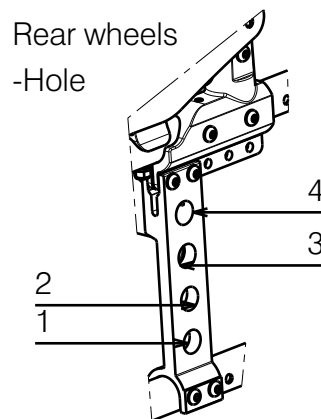
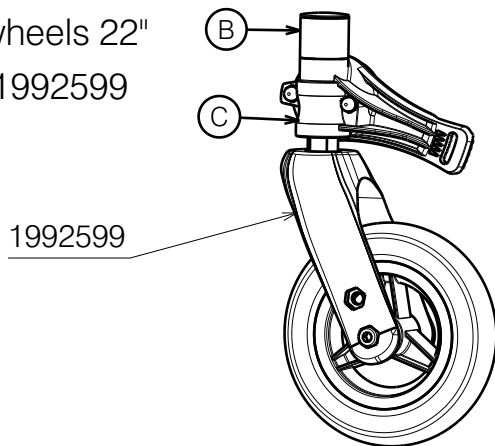
FRONT WHEELS / V500 ACTIVE				---
				Plan No.
				E00051691/D1.1
Scale:	1:3	Drafted	Verified	Confirmed
Date	07/01/2023		12/04/2023	12/04/2023
Initials	AS		AZ	AS



For wheel 24					
Seat height	Rear wheels - Hole	Front wheels Ø	Bushing (B)	Fork XP01650	Fork XP01651
440 mm	4	6"	Under (C)	M3	
470 mm	3	6"	Under (C)	M1	
500 mm	2	6"	Under (C)	---	L1
For wheel 24					
Seat height	Rear wheels - Hole	Front wheels Ø	Bushing (B)	Fork XP01650	Fork XP01651
440 mm	4	5"	Under (C)/Above (C)	M2	L3
470 mm	3	5"	Under (C)	---	L3
500 mm	2	5"	Under (C)	---	L1
For wheel 24					
Seat height	Rear wheels - Hole	Front wheels Ø	Bushing (B)	Fork XP01650	Fork XP01651
440 mm	4	4"	Under (C)	M1	---
470 mm	3	4"	Under (C)	---	L2
For wheel 24					
Seat height	Rear wheels - Hole	Front wheels Ø	Bushing (B)	Fork XP01650	Fork XP01651
440 mm	4	3"	Above (C)	---	L1
470 mm	3	3"	Under (C)	---	L1
Fork P00023627					
Seat height	Rear wheels - Hole	Front wheels - Hole	Wheel Ø	Bushing (B)	
440 mm**	4	4	150 mm	Above (C)	
470 mm	3	4	150 mm	Under (C)	
500 mm	2	2	150 mm	Under (C)	
530 mm	1	1	200 mm	Under (C)	



\*\* With wheels 22"  
use fork 1992599



FRONT WHEELS / V500 ACTIVE				---
Scale: 1:3				Plan No.
Date: 07/01/2023				E00051691/D1.1
Date: 12/04/2023				
Date: 12/04/2023				
Initials: AS	AS	AZ	AS	