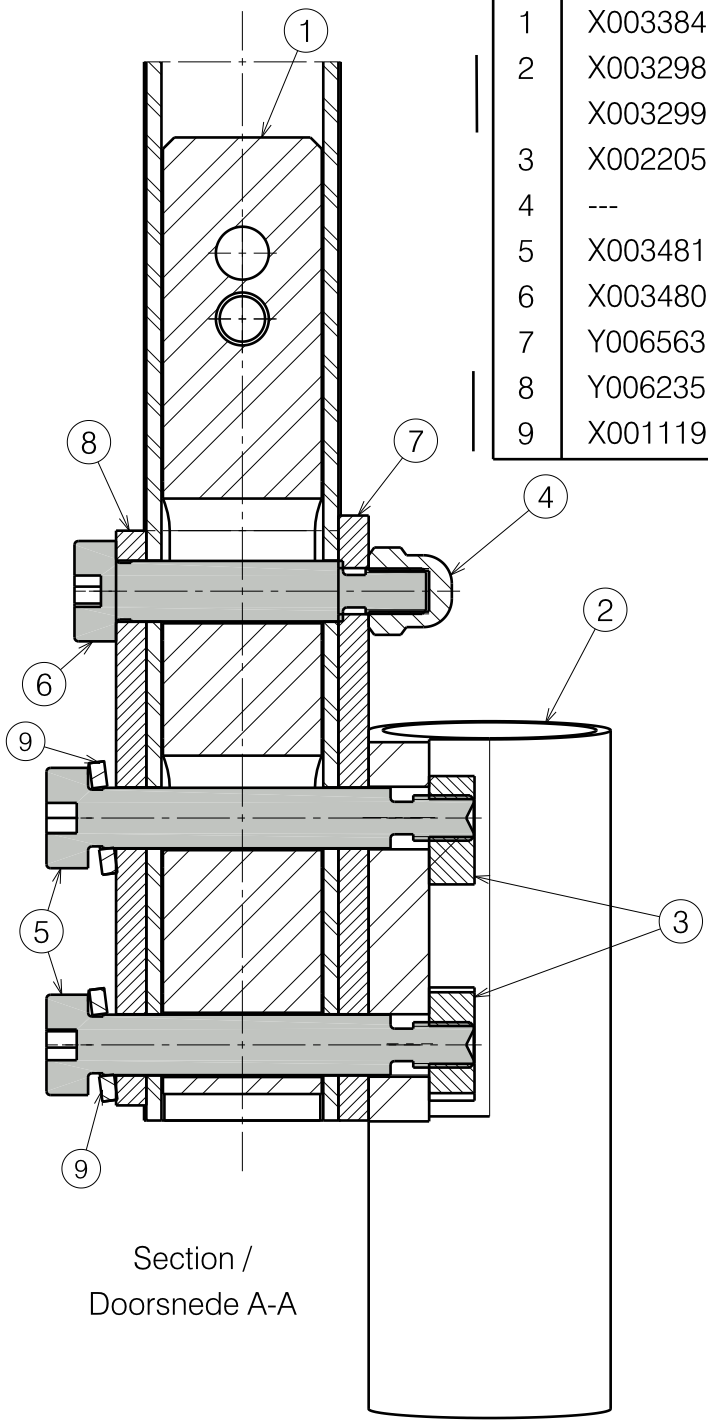
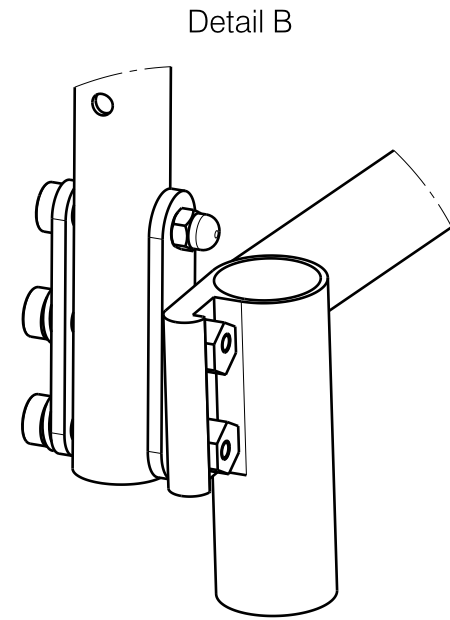
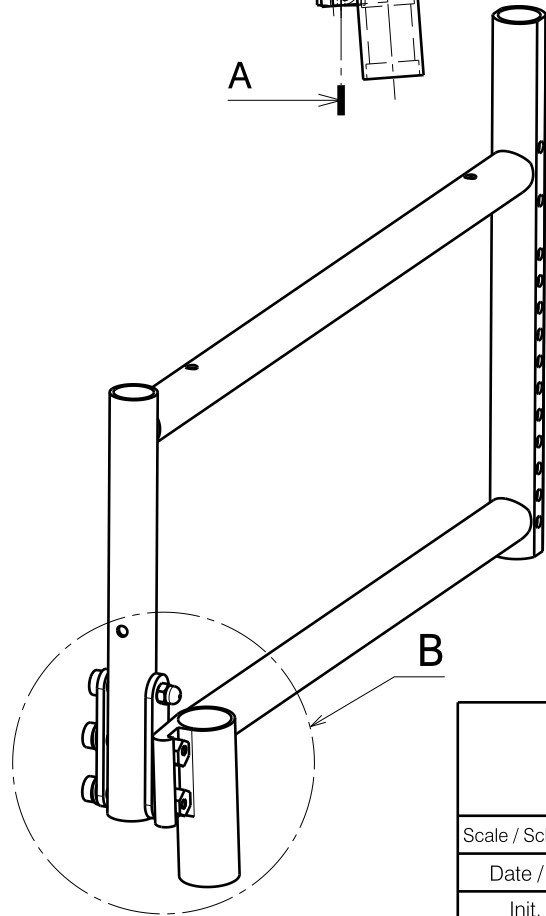
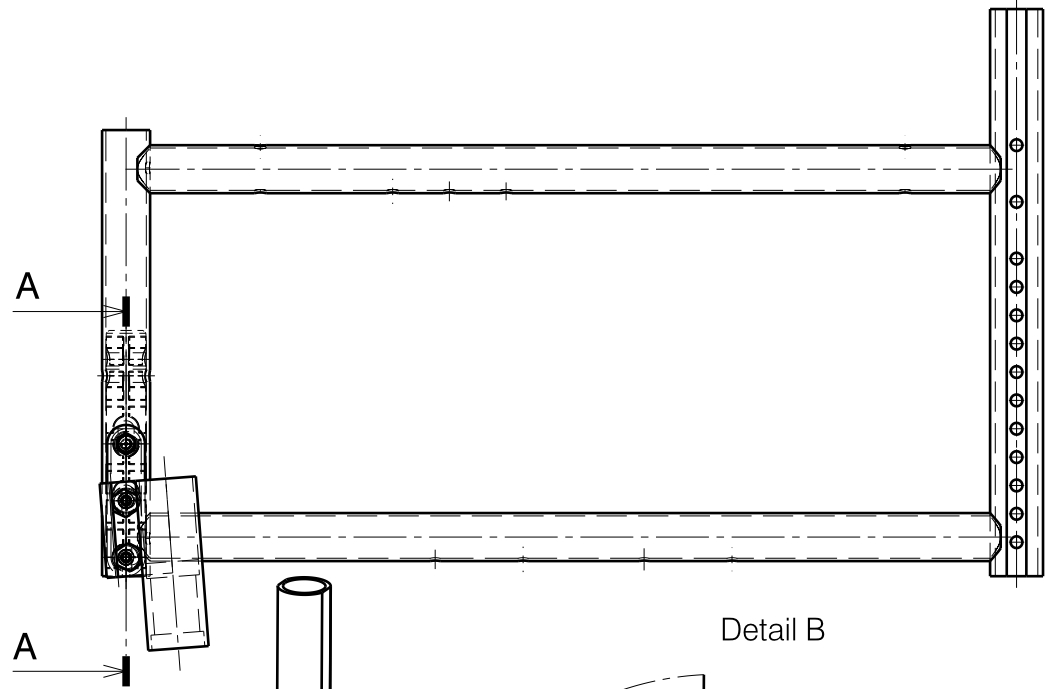



1	X003384	1997149
2	X003298 (R)	15957..
	X003299 (L)	15958..
3	X002205	1489300
4	---	1008492
5	X003481	1996587
6	X003480	1996670
7	Y006563	1594982
8	Y006235	1594882
9	X001119	1001570



Section /
Doorsnede A-A



Detail B

HEAD TUBE ECLIPS+ (M8) KOPBUIS ECLIPS+ (M8)				Plan No. / Plannr. E000169/B
Scale / Schaal: 1:1	Drafted / Getekend	Verified / Nagezien	Confirmed / Bevestigd	
Date / Datum	20/10/2004	09/12/2010	09/12/2010	
Init. / Init.	SD	SV	PJ	