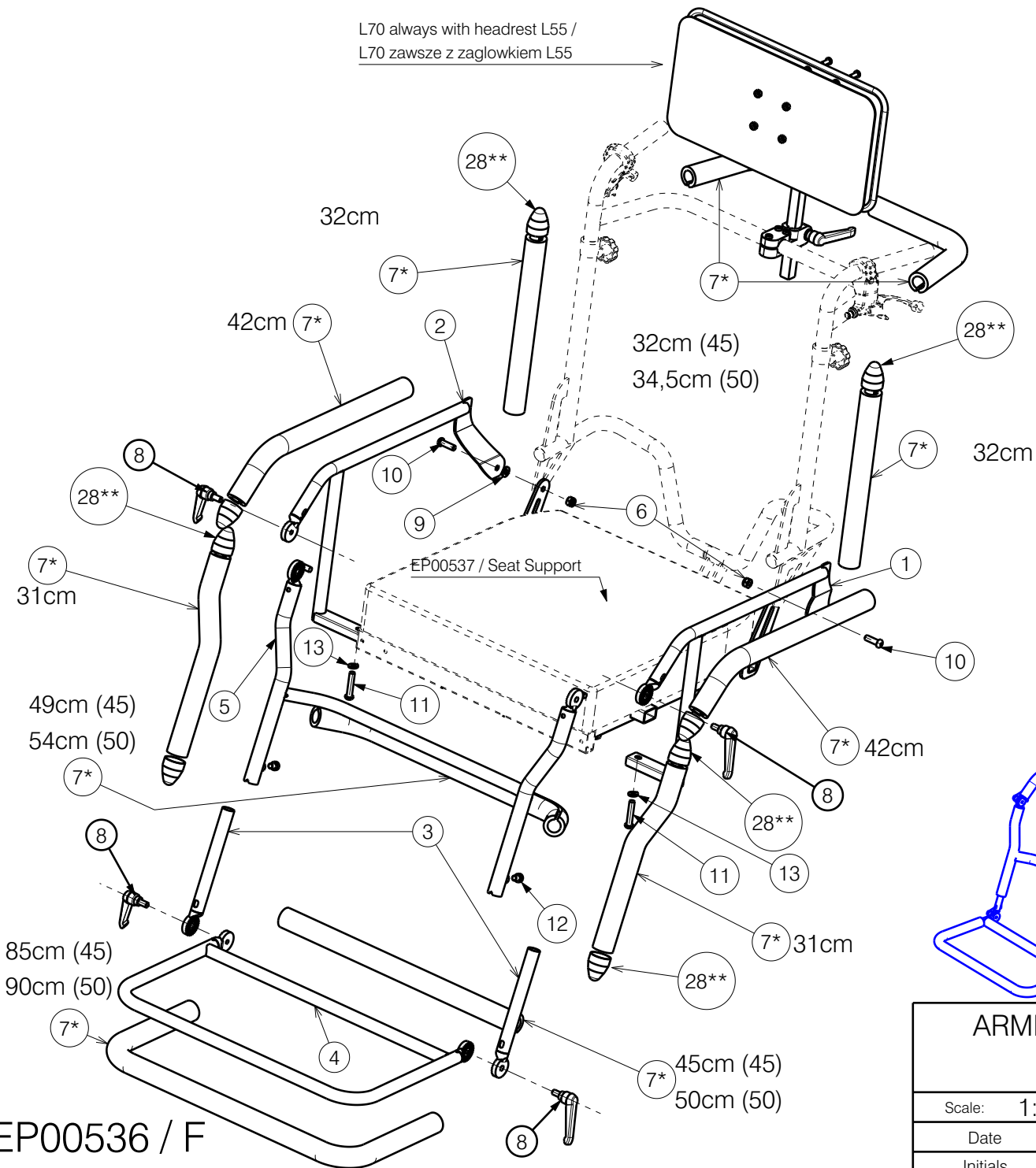
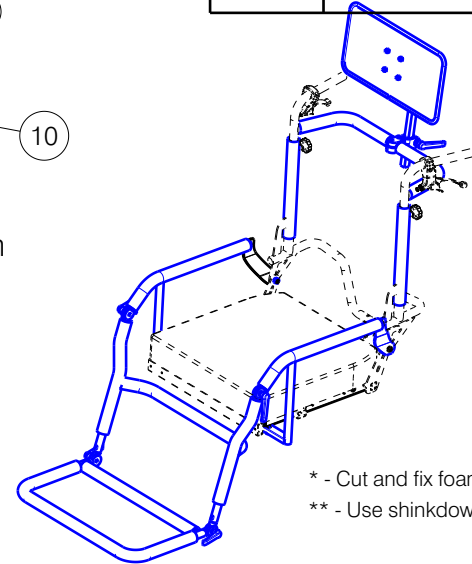


L70 always with headrest L55 /
L70 zawsze z zagłówkiem L55



Material			
No.	Plan	Article	Quantity
1	YP08412	2615725	1
2	YP08413	2615825	1
3	YP08423	2616100	2
4	YP08427 (45)	2616325	1
	YP08431 (50)	2616425	1
5	YP08666 (45)	2624625	1
	YP08667 (50)	2624725	1
6	X001016	1001682	2
7*	---	1992923	12
8	Handle M8x15 Black	1006661	4
9	D8,4 DIN 125	1003199	2
10	M8x25 ISO 7380	1990501	2
11	M8x40 ISO 7380	1008739	2
12	M8x10 DIN912	1903926	2
13	M8 DIN 127B	2991295	2
14	M6x25 DIN 7984	2994897	2
28**	SHRINKDOWN HOSE	T001045	0,64m



* - Cut and fix foam no. 7 by black electrical tape.
** - Use shrinkdown hose at the ends.

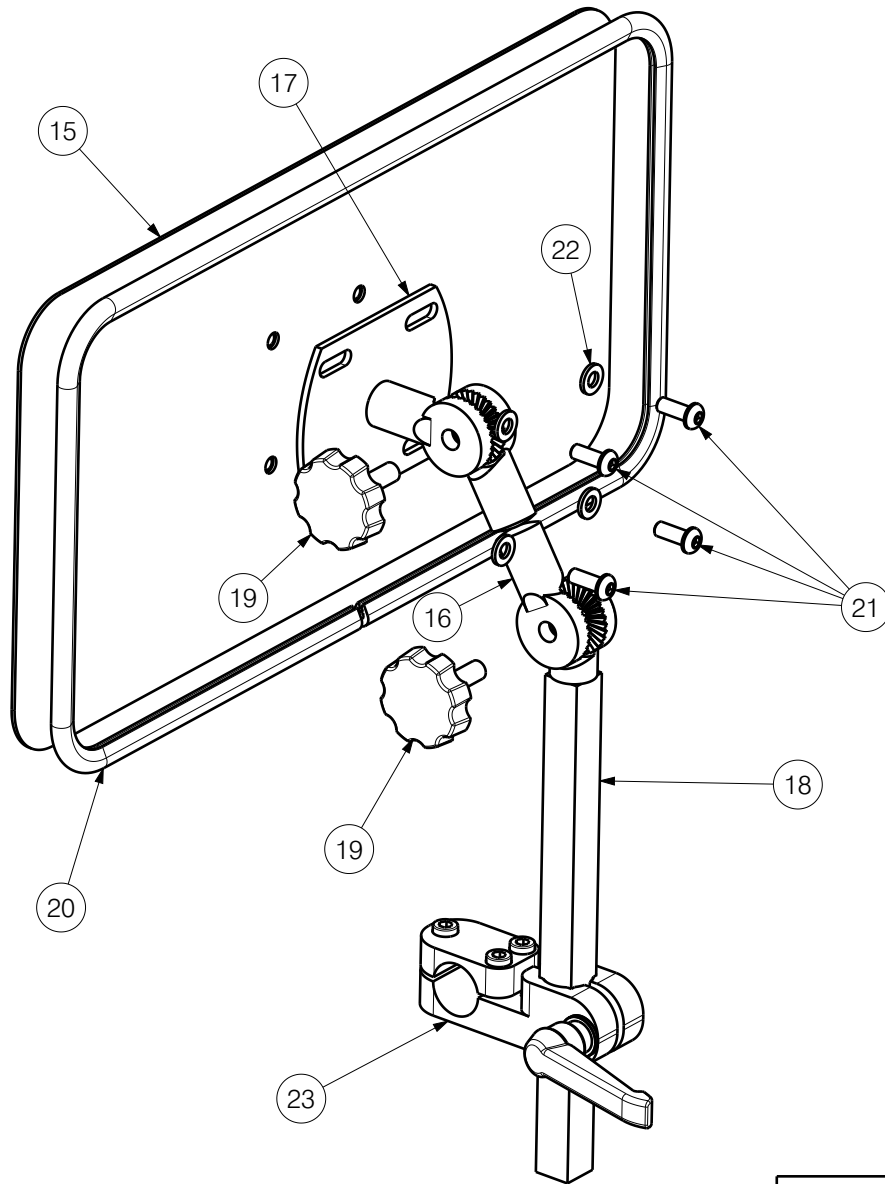
EP00536 / F

ARMREST AND FOOTREST SUPPORTS /
GRANULATING SYSTEM L70 Sheet 1/3

Plan No.
EP00536/ F

Scale: 1:9	Drafted	Verified	Confirmed
Date	03/08/2020	15/06/2023	15/06/2023
Initials	AZ	AZ	TK



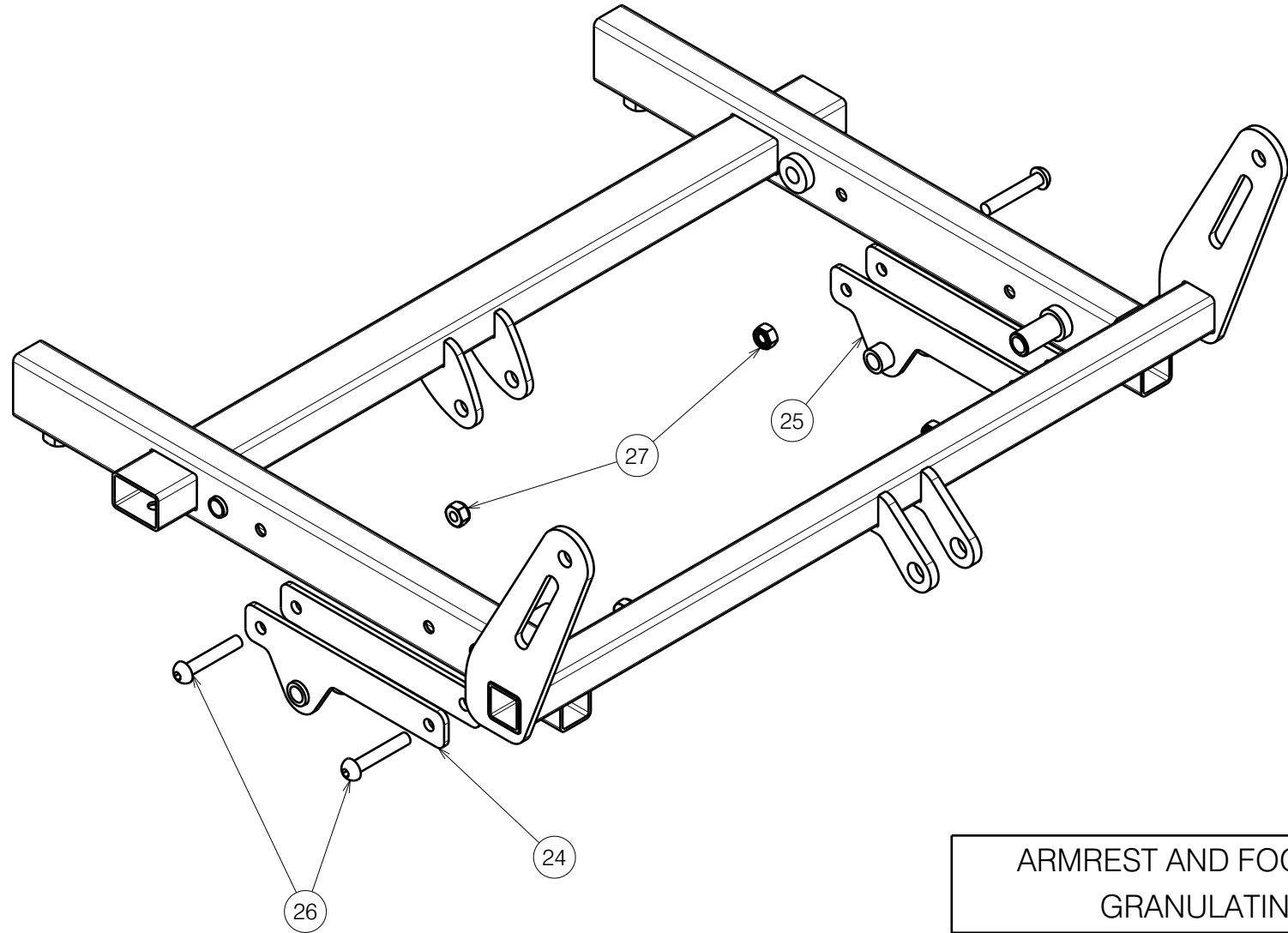


Material			
No.	Plan	Article	Quantity
15	YP08996	2634354	1
16	Y003413	1463254	1
17	Y003414	1463354	1
18	Y007779	1607954	1
19	1001580StarKnob	1001580	2
20	1003299	1003299	1,3m
21	M6x16 ISO 7380	1008459	4
22	M6 DIN 125	1001564	4
23	EP00216	CLAMP	1

EP00536 / F

ARMREST AND FOOTREST SUPPORTS / GRANULATING SYSTEM L70 Sheet 2/3				Plan No.
				EP00536/ F
Scale: 1:3	Drafted	Verified	Confirmed	
Date	03/08/2020	15/06/2023	15/06/2023	
Initials	AZ	AZ	TK	

Material			
No.	Plan	Article	Quantity
24	YP09023	2631754	1
25	YP09024	2631854	1
26	M6x35	1001496	4
27	M6 DIN985	101680	4



EP00536 / F

ARMREST AND FOOTREST SUPPORTS / GRANULATING SYSTEM L70 Sheet 3/3				Plan No. EP00536/ F
Scale: 1:3	Drafted	Verified	Confirmed	
Date	03/08/2020	15/06/2023	15/06/2023	
Initials	AZ	AZ	TK	