

Bill of Material			
No.	Plan	Article	Quantity
1	Y012628	1671965	1
2	Y012629	1672065	1
3	P00042990	2657900	1
4	P00042992	HP00778	1
5	X001473	1002994	8
6	4.8x19 DIN7983	1001534	8
7	M6x60	1992915	4
8	M8x12	1999934	2

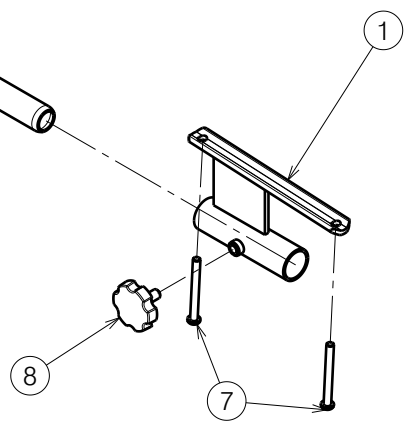
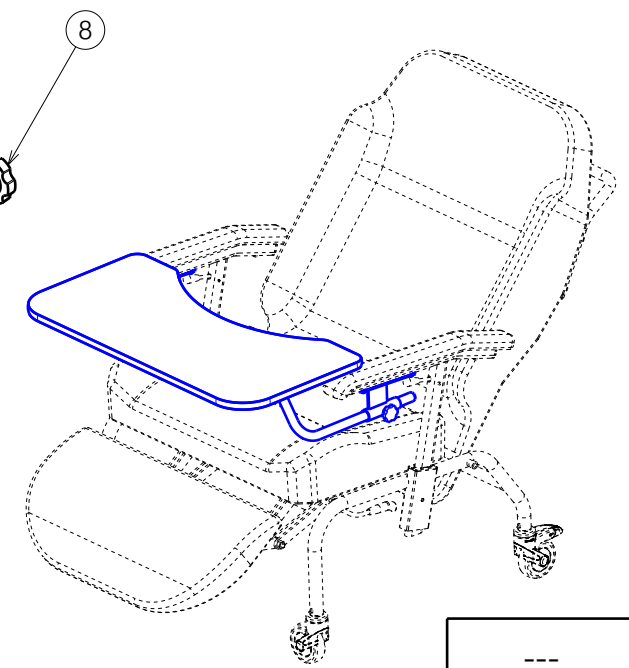
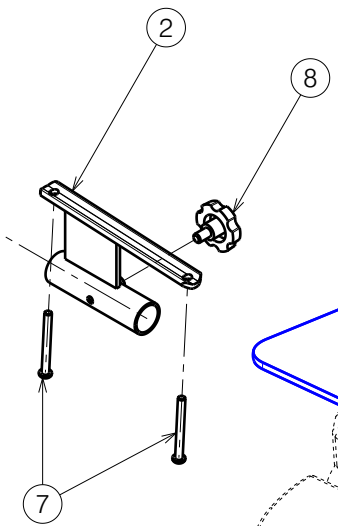
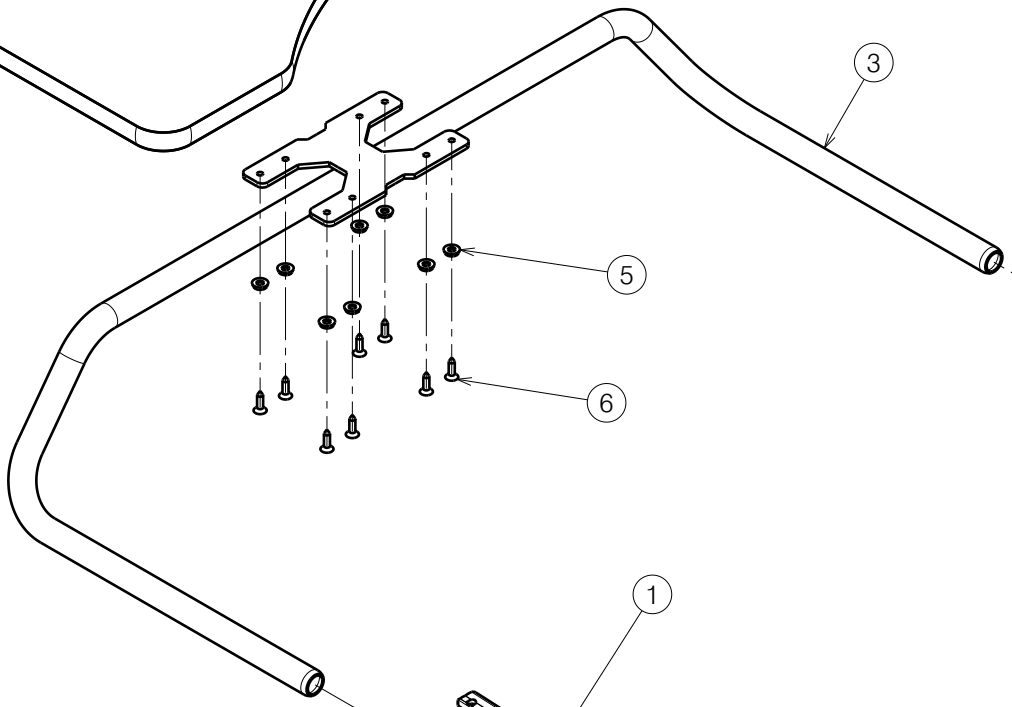
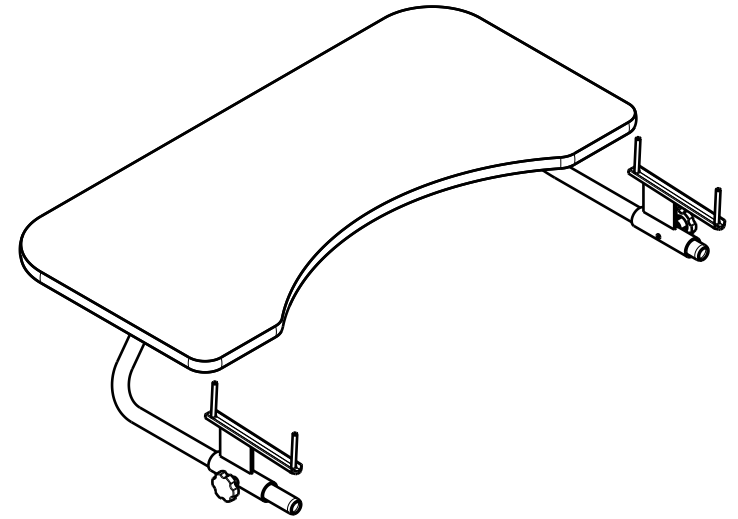
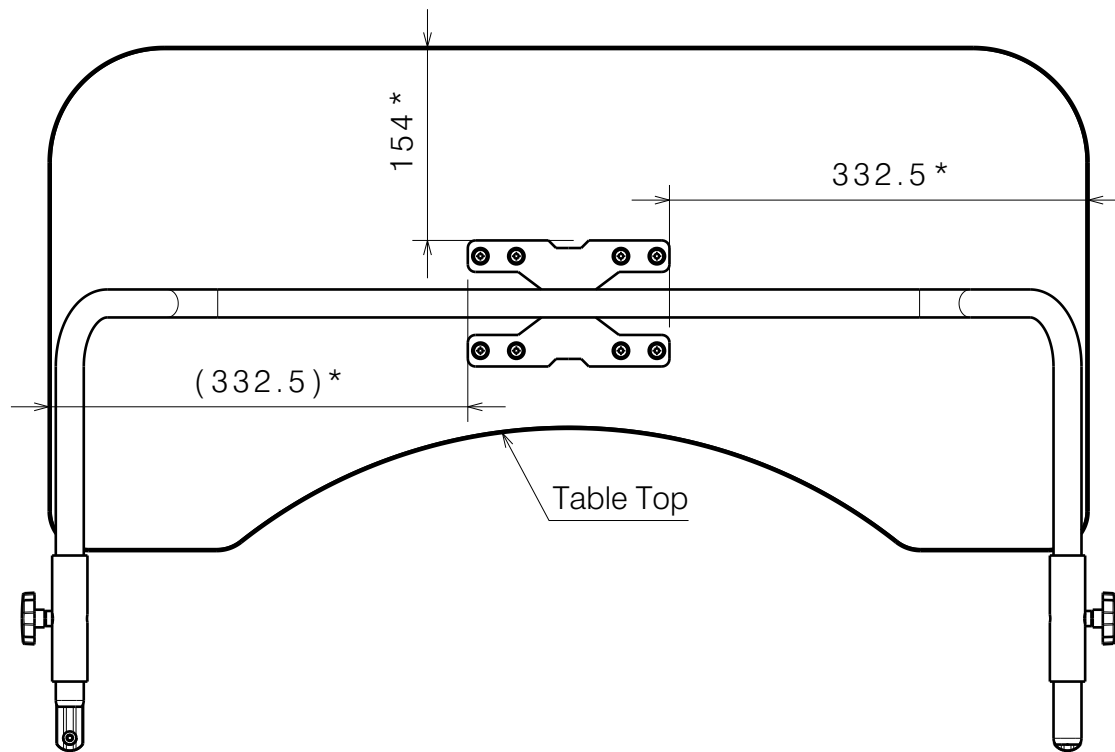


TABLE B12 / NORMANDIE XXL				---
				Plan No.
				E00042999/A.1
Scale:	1:6	Drafted	Verified	Confirmed
Date	2022-09-06	06/09/2022	06/09/2022	06/09/2022
Initials	AZ	PM	AZ	



TABLE TOP POSITION



* - use tool M600122

TABLE B12 / NORMANDIE XXL				---
				Plan No. E00042999/A.1
Scale: 1:6	Drafted	Verified	Confirmed	2/2
Date	2022-09-06	06/09/2022	06/09/2022	
Initials	AZ	PM	AZ	

