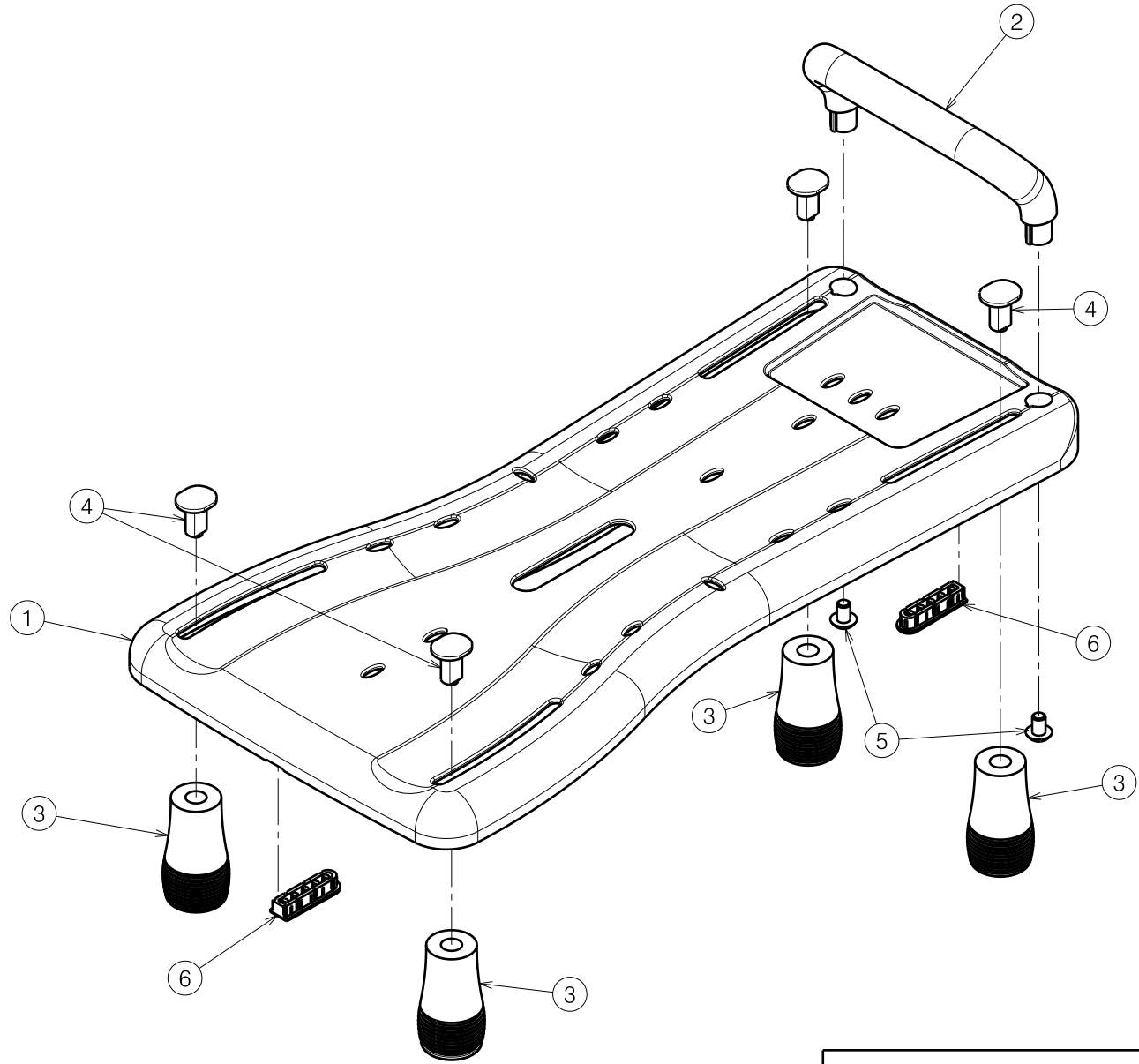



Material		
No.	Article	Quantity
1	---	1
2	1909717	1
3	1909755	4
4	1909757	4
5	1909758	2
6	1909760	2



8002563

E001041 / A

BATH AID "VICKY"				Plan No.
				E001041 / A
Scale: 3:20	Drafted	Verified	Confirmed	
Date	17/05/2016	17/05/2016	17/05/2016	
Initials	SD	SD	PJ	