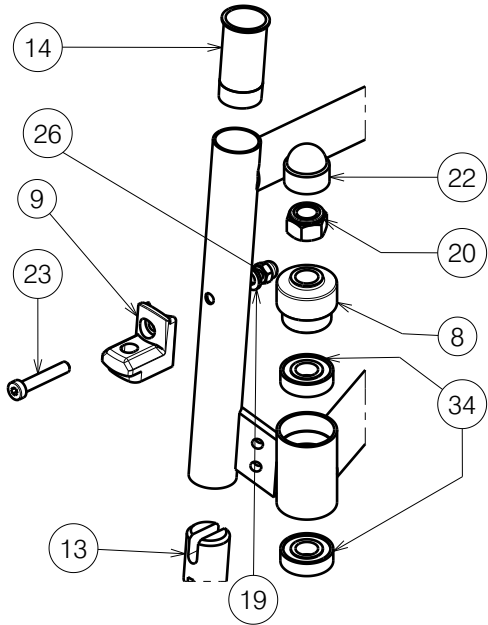
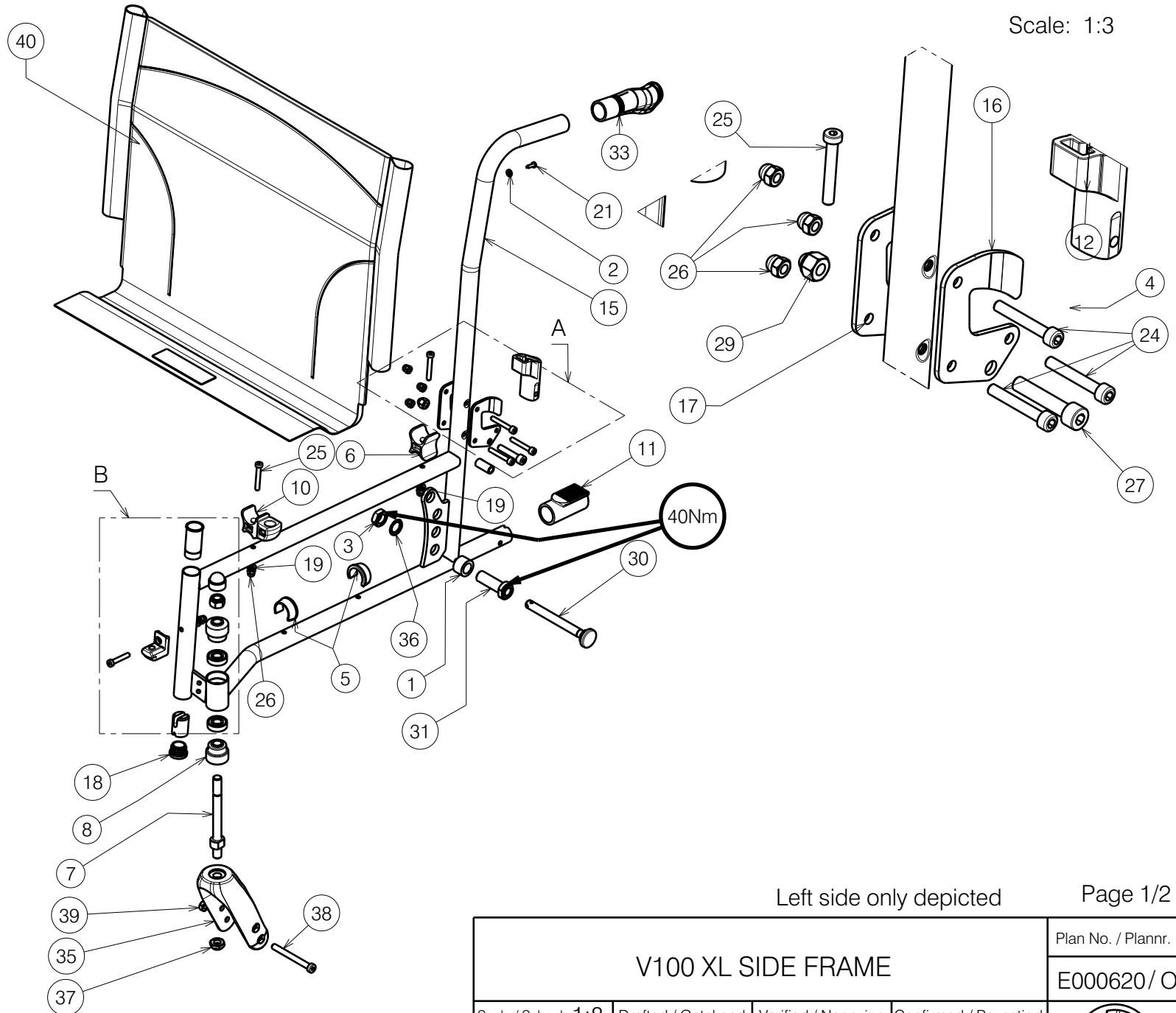


Detail B
Scale: 1:4




Detail A
Scale: 1:3



Left side only depicted

Page 1/2

E000620 / O

V100 XL SIDE FRAME				Plan No. / Plannr.
				E000620 / O
Scale / Schaal: 1:8	Drafted / Getekend	Verified / Nagezien	Confirmed / Bevestigd	
Date / Datum	21/04/2010	24/11/2023	24/11/2023	
Init. / Init.	DD	PM	AS	

Material / Materiaal							
No. / Nr.	Plan	Article / Artikel	Quantity / Aantal	No. / Nr.	Plan	Article / Artikel	Quantity / Aantal
1	X003986	1902199	2	26	---	1008492	12
2	---	1001550	2	27	---	1001500	2
3	X002437	1992699	2	29	---	1902024	2
4	X003204	1585100	2	30	XC00037	3990106	2
5	X004308	1904129	4	31	X005828	1905244	2
6	X004309	1904133	2	33	---	1906244	2
7	X004406	1722400	2	34	---	1992559	4
8	X004407	1904573	4	35	---	1992599	2
9	X004415	17193	2	36	M16 type S DIN17222	1911653	2
10	X004420	1904134	2	37	---	1994605	2
11	X004469	1905045	2	38	---	1998993	2
12	X004487	1904581	2	39	---	1998994	2
13	X004568	1904657	2	40	---	1905673 (53)	1
14	X004574	1904658	2		---	1905674 (56)	1
15	Y016375	17320.. (L)	1		---	1905675 (60)	1
	Y016376	17321.. (R)	1				
16	Y016062	1736054	2				
17	Y016063	1736154	2				
18	---	1001608	2				
19	---	1001564	6				
20	---	1001684	2				
21	---	1003021	2				
22	---	1003294	2				
23	---	1903903	2				
24	---	1003909	6				
25	---	1006850	4				

E000620 / O

V100 XL SIDE FRAME ZIJFRAME V100 XL				Plan No. / Plannr. E000620 / O
Scale / Schaal: 1:8	Drafted / Getekend	Verified / Nagezien	Confirmed / Bevestigd	
Date / Datum	21/04/2010	24/11/2023	24/11/2023	
Init. / Init.	DD	PM	AS	