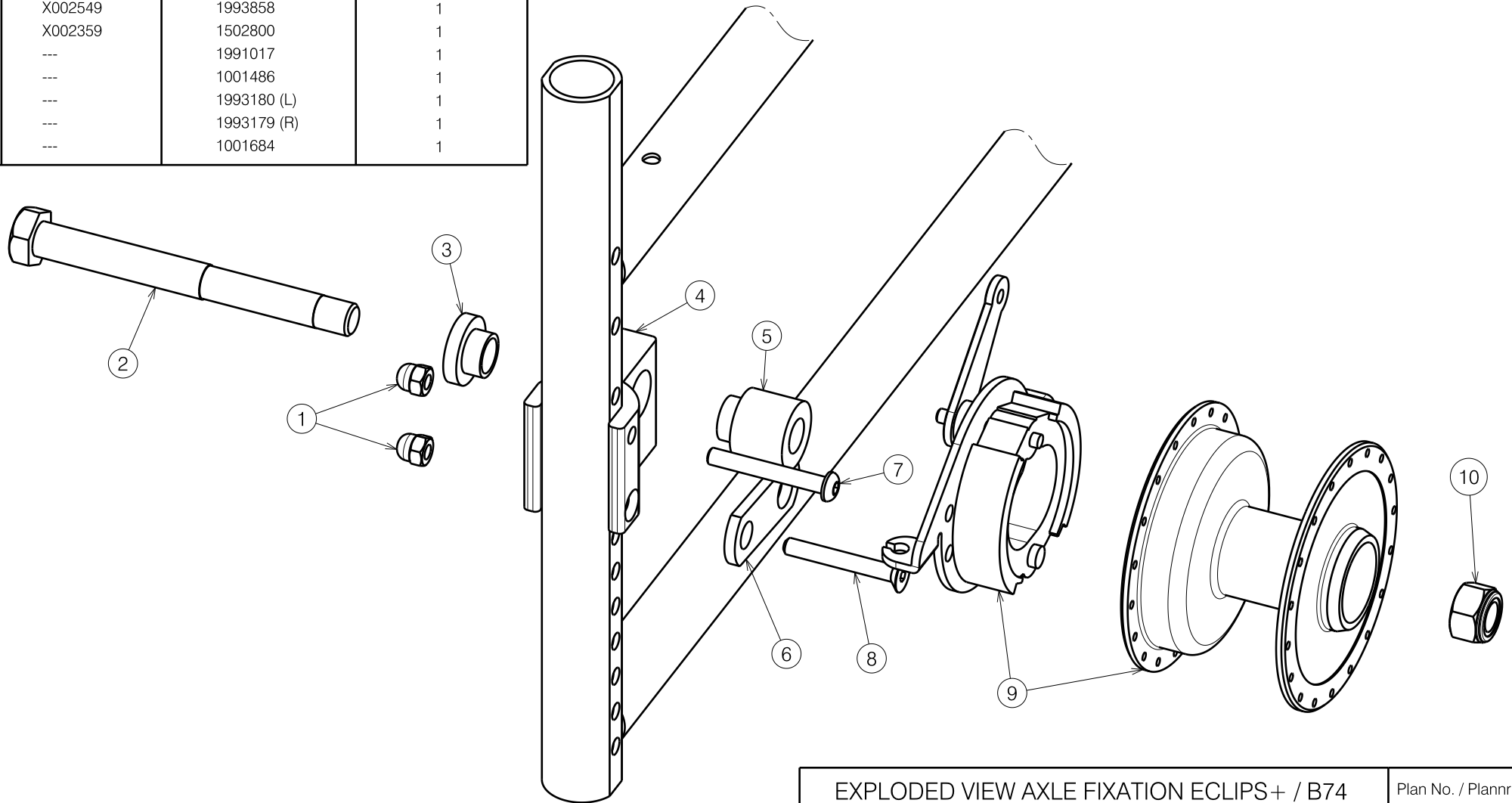


Material / Materiaal

No. / Nr.	Plan / Plan	Article / Artikel	Number / Aantal
1	---	1008492	2
2	X001111	G099000	1
3	X002550	1993859	1
4	X002247	1992772 (L)	1
	X002248	1992774 (R)	1
5	X002549	1993858	1
6	X002359	1502800	1
7	---	1991017	1
8	---	1001486	1
9	---	1993180 (L)	1
	---	1993179 (R)	1
10	---	1001684	1



E000332 /B

EXPLODED VIEW AXLE FIXATION ECLIPS+ / B74				Plan No. / Plannr.
EXPLODED VIEW ASBEVESTIGING ECLIPS+ / B74				E000332/B
Scale / Schaal: 1:2	Drafted / Getekend	Verified / Nagezien	Confirmed / Bevestigd	
Date / Datum	24/10/2006	19/10/2007	19/10/2007	
Init. / Init.	SD	SD	PJ	