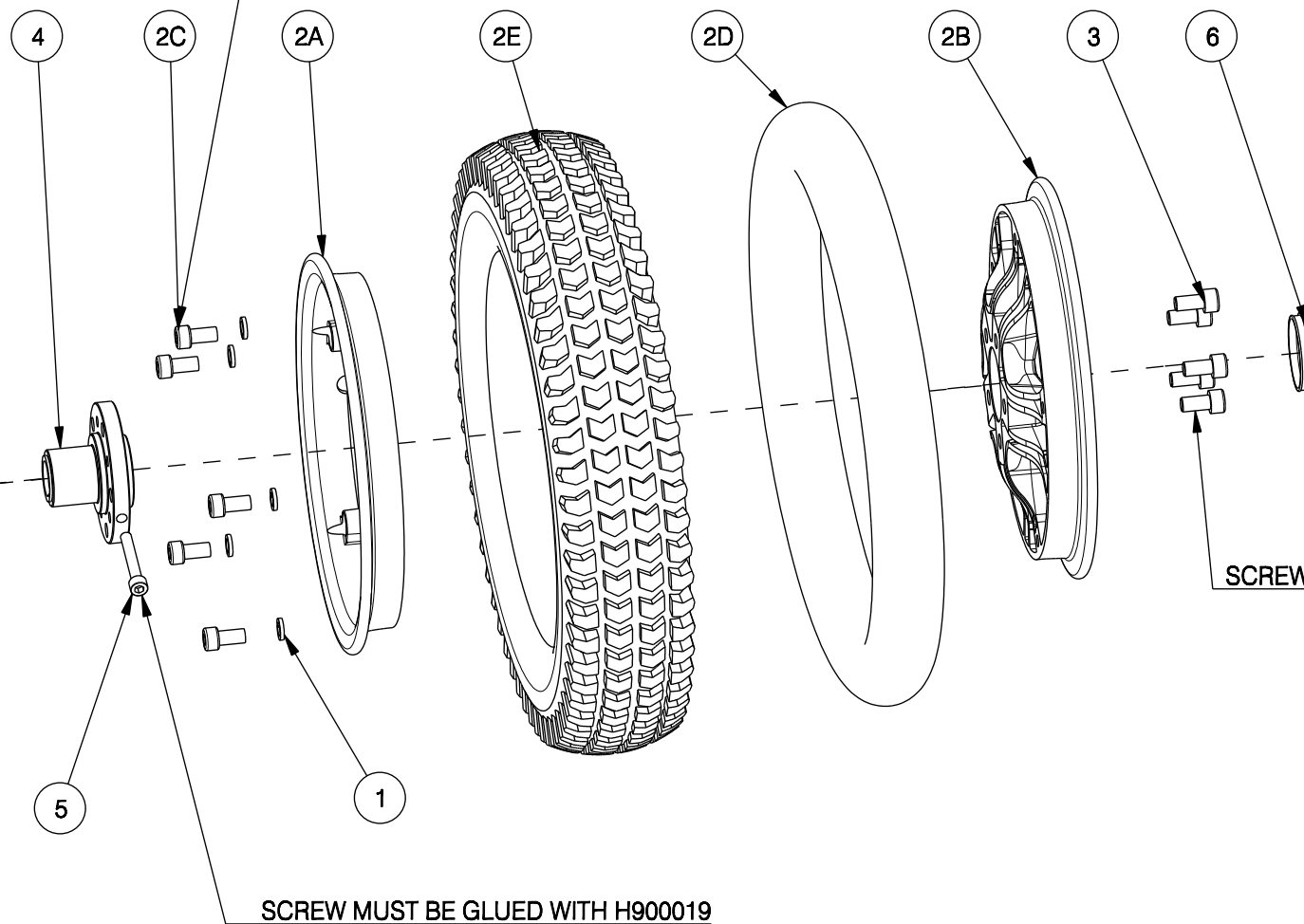


Torque:25NM
SCREW MUST BE GLUED WITH H900019




SCREW MUST BE GLUED WITH H900019

SCREWS MUST BE GLUED WITH H900019

Material			
No.	Plan	Article	Number
1	---	1917729	5
2	---	3992790	1
2A	X005470	2011904	1
2B	X005469	2011804	1
2C	DIN912 M8x20	3991197	5
2D	---	1006903	1
2E	---	1905403	1
3	DIN912 M8x16	3991741	5
4	XC00186	3990720	1
5	---	1003909	1
6	X005083	1908680	1

EC00295 /K

SV CARPO SE BACK WHEEL SET LEFT				Plan Number
				EC00295 /K
Scale:1:4	Drafted	Verified	Confirmed	
Date	25/09/2015	02/07/2021		
Initials	KZ	AL		