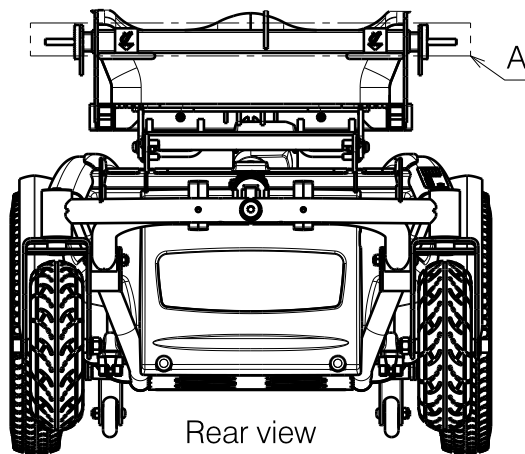


Only right side depicted



Material				
No.	Plan	Article	Sticker	Quantity
1	Sticker Ø35 logo Vermeiren	T001002		2
2	Sticker taxi hooks	T001076		6
13	Sticker serial number	T001097		1

STICKER CONFIGURATION TIMIX				Plan No.
				E000965 / D
Scale: 1:10	Drafted	Verified	Confirmed	
Date	14/01/2013	18/03/2021	18/03/2021	
Initials	TT	TT	PJ	

E000965 / D