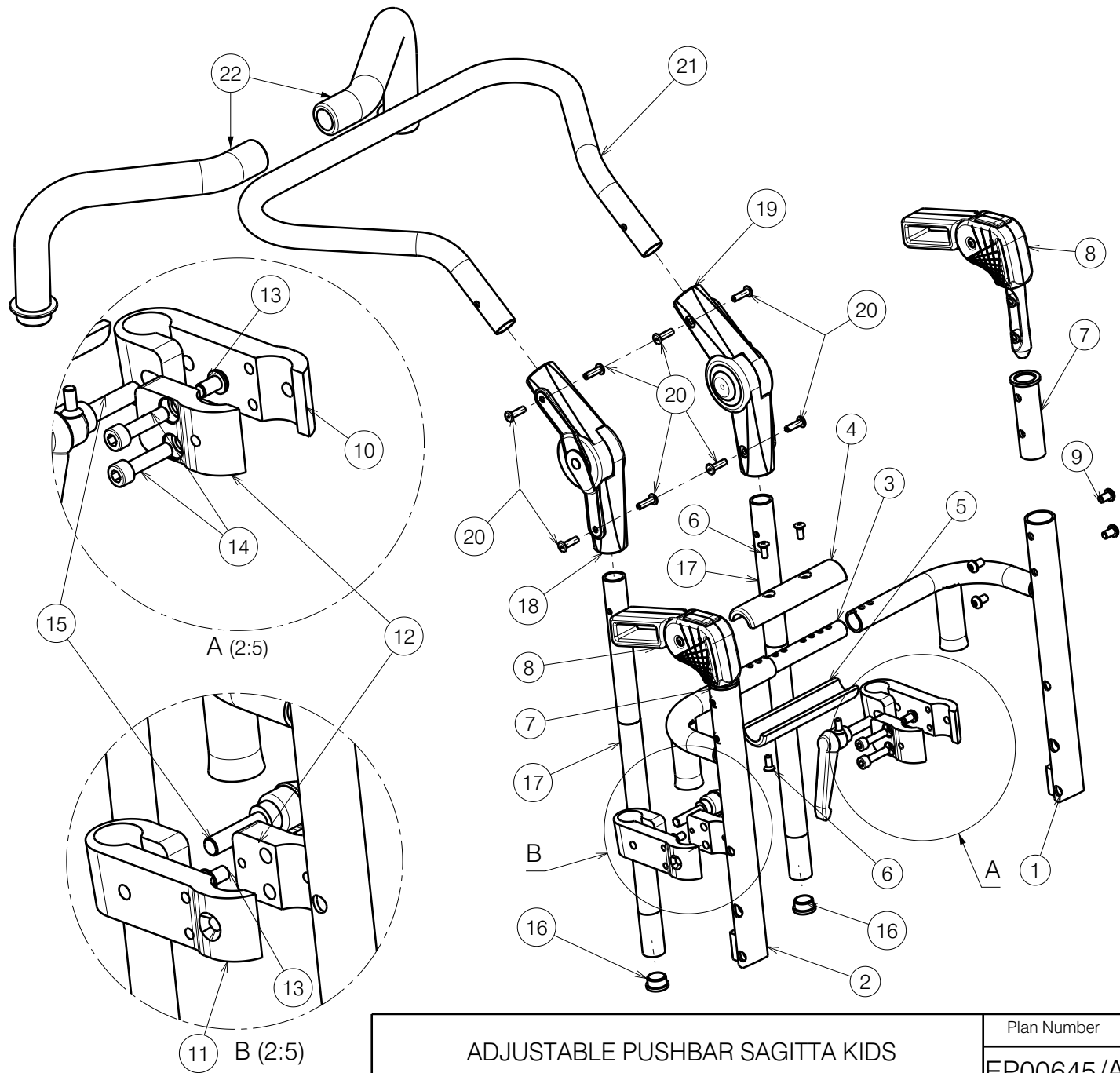



No.	Plan	Article	Quantity
Width 24-30			
1	YP09555 (H25)	26653..	1
	YP09557 (H27)	26655..	1
	YP09559 (H30)	26657..	1
	YP09561 (H32)	26659..	1
2	YP09556 (H25)	26654..	1
	YP09558 (H27)	26656..	1
	YP09560 (H30)	26658..	1
	YP09562 (H32)	26660..	1
Width 30-34			
1	YP09563 (H25)	26661..	1
	YP09565 (H27)	26663..	1
	YP09567 (H30)	26665..	1
	YP09569 (H32)	26667..	1
2	YP09564 (H25)	26662..	1
	YP09566 (H27)	26664	1
	YP09568 (H30)	26666..	1
	YP09570 (H32)	26668..	1
3	XP00674	2990916	1
4	XP00749	2991070	1
5	XP00675	2990915	1
6	M5x12 DIN966	2990933	4
7	XP03434	2997534	2
8	EP00246	2993853	2
9	M6x10 (Black)	2994127	8
10	XP00933	2836654	1
11	XP00934	2836754	1
12	XP00935	2836854	2
13	M6x10	1900641	2
14	M6x25 DIN912	1001494	4
15	HV8x30	1005860	2
16	Plug 19	1001602	2
17	YP03029	2823054	2
18	Joint left	2990149	1
19	Joint right	2990085	1
20	Rivet 4.8x17	1001586	8
21	YP03025	2822754	1
22	Pusher handle	2990087	2



EP00645/A

ADJUSTABLE PUSHBAR SAGITTA KIDS				Plan Number
				EP00645/A
Scale: 1:4	Drafted	Verified	Confirmed	
Date	10/11/2022	14/11/2022	15/11/2022	
Initials	WM	AS	AS	