

G8WAY

B, 2019-12



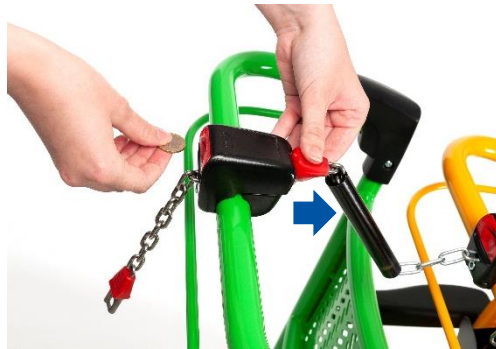
150 kg



max. 6°



(A)

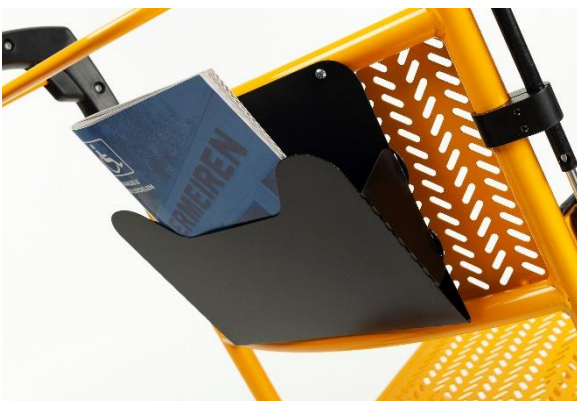


B



C





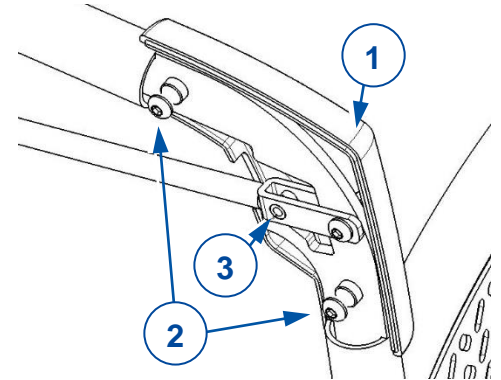
1. Servicing instructions

 **CAUTION** Risk of injuries and damage

Repairs and replacements may only be undertaken by trained persons and only genuine replacement parts of Vermeiren should be used.

Adjusting the brakes

1. Take off the plastic cap (1) on the side of the push bar by removing the 4 screws (2) on either side of the cap.
2. Loosen the cable fastener (3).
3. Alter the cable tension as desired.
4. Retighten the cable fastener (3).
5. Replace the plastic cap (1) and firmly tighten the screws (2).
6. Repeat for the other side of the push bar.



2. Maintenance instructions

Times of maintenance

Before each use, inspect the following points:

- All parts: present, undamaged and unworn.
- All parts: clean.
- Condition of wheels: undamaged and unworn.
- Condition of frame parts: no deformation, instability, weakness or loose connections.

Contact your specialist dealer for possible repairs or part replacements.

Yearly or more often:

Have your wheelchair inspected and serviced by your specialist dealer, at least once a year, or more often. The minimum maintenance frequency depends on use and should therefore be commonly agreed upon with your specialist dealer.


Wheels and tyres

Keep your wheels free of wires, hair, sand and fibres.

Cleaning

Wipe all rigid parts of the wheelchair with a damp cloth (not drenched). If necessary, use a mild soap, suitable for varnishes and synthetics.

Disinfection

 **CAUTION** Risk of damage

Disinfections may only be undertaken by trained persons. Consult your specialist dealer.