

User manual

MANUEL D'UTILISATION
GEBRUIKSAANWIJZING
GEBRAUCHSANWEISUNG
MANUALE DI ISTRUZIONI
MANUAL DE INSTRUCCIONES
INSTRUKCJA OBSŁUGI
NÁVOD K OBSLUZE

Pluo



Contents

Contents	1
Preface	2
1 Your product	3
1.1 Accessories	3
2 Before use	4
2.1 Intended use	4
2.2 General safety instructions	4
2.3 Symbols on the shower chair	4
2.4 First use and storage.....	5
3 Using your shower chair	6
3.1 Brakes	6
3.2 Armrest.....	7
3.3 Footrest.....	7
3.4 Toilet bucket	7
3.5 Moving to/from shower chair	8
3.6 Moving/riding the shower chair.....	8
4 Assembly and adjustments	9
4.1 Tools.....	9
4.2 Manner of delivery.....	9
4.3 (Dis) Assembly	9
4.4 Mounting and adjusting the headrest	11
4.5 Adjusting the seat height (only for 5" wheels).....	11
4.6 Mounting the safety belt	11
4.7 Mounting the safety bracket	11
5 Maintenance	12
5.1 Points of maintenance.....	12
5.2 Instructions of maintenance	12
5.3 Troubleshooting.....	13
5.4 Expected lifespan	13
5.5 End of use	13
6 Technical specifications	14

Preface

Please read this manual carefully; it will help you to get familiar with the operation, capabilities and limitations of your shower chair.

If you still have questions after reading this manual, do not hesitate to contact your specialist dealer. He/she will be glad to help you on this subject.

To ensure your safety and to prolong the lifetime of your product, please take good care of it and have it checked and/serviced on regular base.

The warranty of this product is based on normal use and maintenance as described in this manual. Damage to your product caused by improper use or lack of maintenance will cause the warranty to lapse.

This manual reflects the latest product developments. Vermeiren has the right to implement changes to this type of product without being imposed to any obligation to adapt or replace similar products previously delivered.

Pictures are used to clarify the instructions in this manual. Details of the depicted product may deviate from your product.

On our website <http://www.vermeiren.com/> you will always find the most recent version of following information. Please consult this website regularly for possible updates.

Visually impaired people can download the electronic version of this manual and have it read out by means of a text-to-speech software application.



Wheelchair instruction

For user/attendant/care taker



Service manual for hygiene support

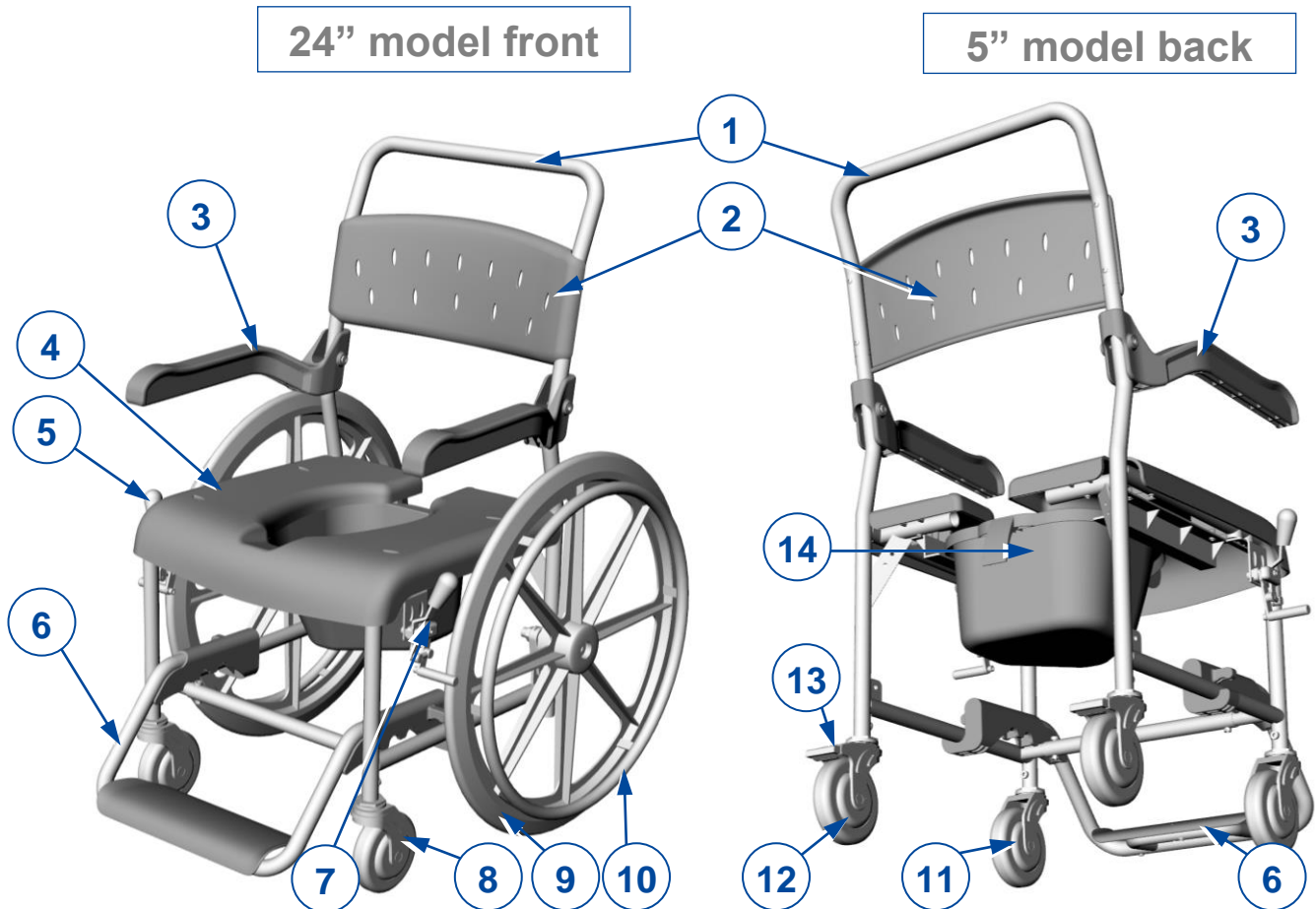
For specialist dealer



EC declaration of conformity

1 Your product

This mobile shower chair with optional toilet bucket is easy to use in bathrooms and is available with 4 swivelling wheels or with 24" rear wheels.



1. Backrest frame / push bar
2. Backrest
3. Armrest rotatable
4. Seat
5. Brake lever
6. Footrest
7. Parking brake (for 24" only)

8. Front wheel (steering)
9. Rear wheel 24"
10. Hand rim (for 24" only)
11. Front wheel (steering)
12. Rear wheel 5"
13. Parking brake (for 5" only)
14. Toilet bucket

1.1 Accessories

The following options and accessories are available for Pluo:

1. Adjustable leg height (only 5")
2. Head rest
3. Safety belt
4. Safety vest
5. PU seat and back
6. Gel seat
7. Lateral support
8. Safety bracket

2 Before use

2.1 Intended use

This paragraph contains a brief description of the intended use of your shower chair. Additionally, relevant warnings are added to the instructions in the other paragraphs. In this way we would like to make you aware of the possible misuse that may appear.

- Indications and contraindications: The shower chair is intended for people with walking difficulties or no walking abilities. The different types of accessories allow full use by aged persons and persons disabled by paralysis, loss of limbs, limb defects or deformations, stiff or damaged joints, heart insufficiencies and poor blood circulation, balance disturbances, cachexia (decrease in muscle). The 5" shower chair is meant to be operated by an attendant; the 24" model can be operated by the occupant as well.
- This shower chair is suitable for indoor use only as bathroom chair and for transport to/from the bathroom.
- This shower chair is designed and produced solely to transport one (1) person with a maximum weight of 150 kg. It is not designed for transport of goods or objects, nor for any other use as previously described.
- If applicable, only use accessories and spare parts approved by Vermeiren.
- Please read all technical details and limits of your shower chair in §6.
- The warranty of this product is based on normal use and maintenance as described in this manual. Damage to your product caused by improper use or lack of maintenance will cause the warranty to lapse.

2.2 General safety instructions

 CAUTION Risk of injuries and/or damage

Please read and follow the instructions in this manual. Otherwise you may get injured or your shower chair may get damaged.

Keep the following general warnings in mind during use:

- Do not use your shower chair if you are under the influence of alcohol, medicines or other substances that may influence your riding abilities. This also counts for your attendant operating the shower chair.
- Be aware that the shower chair may get very hot or cold due to ambient temperature, solar radiation, heating devices or cleaning water. Be careful when touching.
- Do not lean too far forwards or sideways to prevent tipping over.
- Do not stand on the footrest.
- Only lift the shower chair when it is empty. Grab the shower chair at the frame tubes.
- Check all parts for damage or cracks before each use. Do not use the shower chair if it is not in good condition. Contact your specialist dealer for possible repairs or part replacements.
- Do not modify your shower chair in any way.
- Take note of the instructions for care and service. The manufacturer is not liable for damage caused by improper servicing / care.

In case a serious incident has occurred involving your product, notify Vermeiren or your specialist dealer as well as the competent authority in your country.

2.3 Symbols on the shower chair

The symbols in following list are applicable for your shower chair. Symbols can be found in the relevant ISO standard (ISO 7000, ISO 7001 and IEC 417).



Maximum weight of the user in kg



Indoor use only



Type designation



Risk of entrapment

2.4 First use and storage

 CAUTION Risk of battery damage

- Check the technical details for storage, see chapter 6.

3 Using your shower chair



WARNING

Risk of injuries

- First read the previous chapters and inform yourself about the intended use. Do NOT use your shower chair unless you have read and fully understood all instructions.
- In case of doubts or questions, do not hesitate to contact your local specialist dealer, your care provider or technical adviser to help you.
- Make sure that your hands, clothes, belts, buckles or jewellery won't get caught by wheels or during adjustment.

3.1 Brakes



CAUTION

Risk of injuries and/or damage

- Do not use the brakes to slow the shower chair down.

Your shower chair is equipped with two manually-operated parking brakes. These brakes are intended to prevent movement of the shower chair when parked.

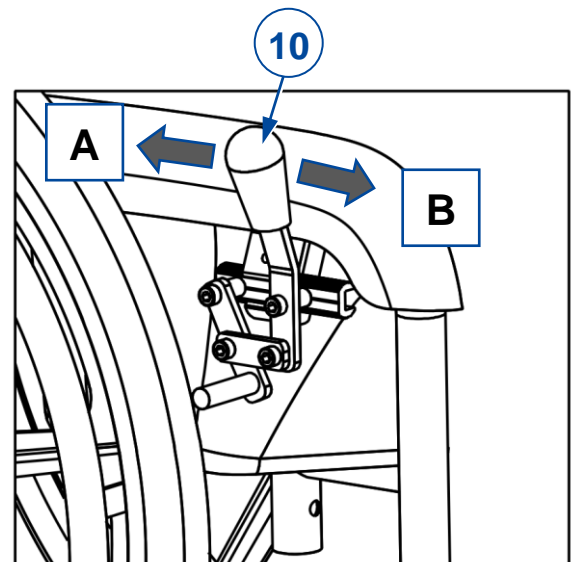
3.1.1 Parking brakes for 24" model

Releasing brakes [A]:

1. Hold one hand rim tight with one hand (or your attendant holds the push bar with one hand).
2. Pull brake lever (10) of the OTHER wheel to the REAR.
3. Repeat this for the second wheel and parking brake.

Applying brakes [B]:

1. Hold one hand rim tight with one hand (or your attendant holds the push bar with one hand).
2. Push brake lever (10) of the OTHER wheel to the FRONT till you feel a distinctive lock.
3. Repeat this for the second wheel and parking brake.



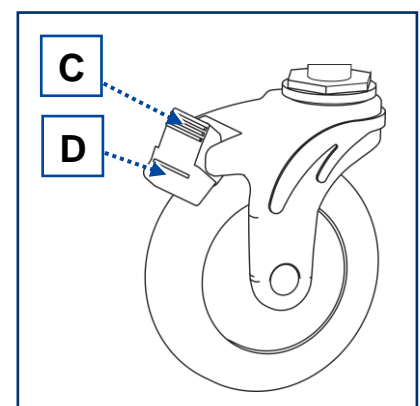
3.1.2 Parking brakes for 5" model

Releasing brakes [C]:

Use your foot to press the top of the brake lever backwards.

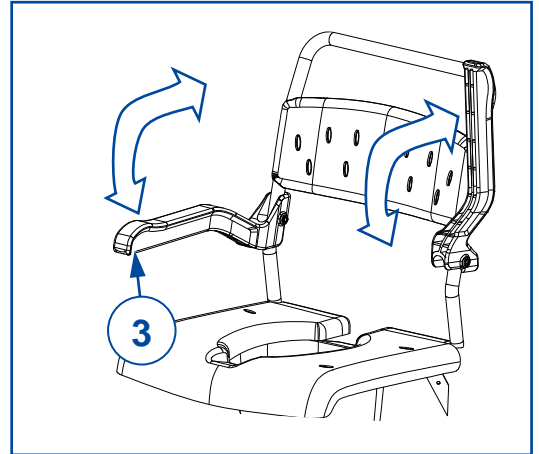
Applying brakes [D]:

Use your foot to press the brake lever down towards the castor wheel.



3.2 Armrest

- Turn it up to make room for passage.
- Turn it down to sit comfortably.



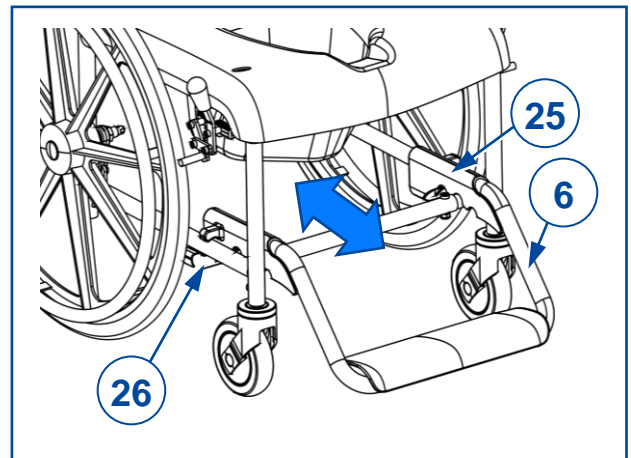
3.3 Footrest

To insert & pull out:

- Push footrest (6) inwards with your foot, to make room for passage.
- To restore, pull it out. Make sure that the front tube falls in the recess of the footrest support (25) (3 positions available)

To remove & install:

- Remove by pulling clamp (26) from the frame tubes at left and right side. Move the footrest between the frame tubes of the front wheels.
- To restore, push clamp (26) of the footrest on the frame tube, at left and right side. Make sure that the front tube falls in the recess of the footrest support (25).



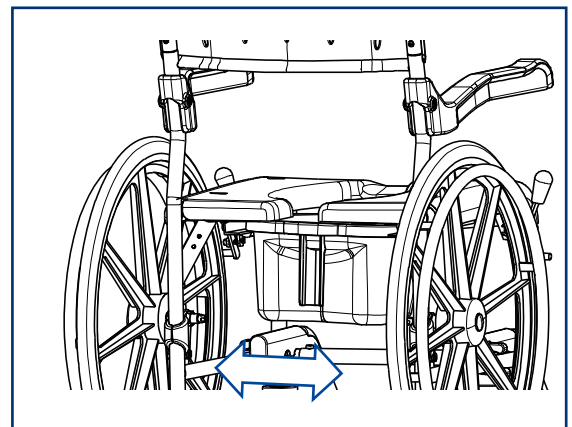
3.4 Toilet bucket

To insert:

- Place the toilet bucket at the rear side, with its rim on the two guides.
- Slide it to the front against the bucket stop.

To remove:

- Slide the bucket backward while supporting it with your other hand.



3.5 Moving to/from shower chair



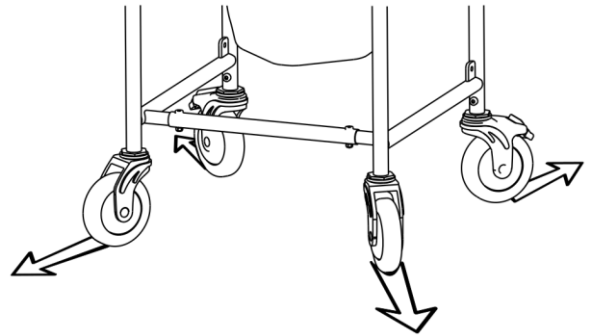
CAUTION

Risk of injuries and damage

- In case you cannot perform the transfer in a safe manner, ask someone to assist you.
- Do not stand on the footplates during transfer.
- Do not lean on the armrests during transfer.

Transfer

- Position the shower chair as close as possible to you when sitting in your chair, couch, seat or bed.
- Turn the swivelling wheels outwards to get more stability, see picture.
- Apply the brakes, see §3.1.
- Push the footrest under the seat and turn the armrest up on one side (see §3.3 and §0).
- Transfer to/from the chair using the strength of your arms or with the help of an attendant or lifting equipment.

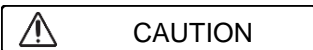


Sitting in the shower chair

- Sit down on the seat with your lower back against the backrest.
- Reinstall armrest and/or footrest.
- Put your feet on the footplate.
- Make sure that your upper legs are horizontal; adjust the footrest, see §3.3.

3.6 Moving/riding the shower chair

i Information on how to negotiate with thresholds and obstacles can be found in our Wheelchair instruction, please refer to our website.



CAUTION

Risk of injuries and damage

- Before every usage, make sure that:
 - all parts are firmly secured, see § 4.
 - brakes are working properly, see §3.1.
- Keep your feet on the footplate.
- Thresholds and obstacles should to be taken backwards.

4 Assembly and adjustments

**WARNING**

Risk of injuries and damage

- Use only the settings described in this manual.

4.1 Tools

To (dis)assemble and adjust the shower chair, the following tools are needed:

- Wrench set no. 13
- Allen keyset n° 3 - 4 – 5

4.2 Manner of delivery

Depending on the packaging method, the frame and wheels are assembled or disassembled. For the small boxes with disassembled frame, the following items are part of the delivery:

- Left frame with armrest
- Right frame with armrest
- Front frame tube
- Backrest frame
- Backrest
- Two supports with swivelling wheels, without brakes
- Two supports with rear swivelling wheels and brakes (only for 5" model)
- Two 24" rear wheels (only for 24" model)
- Footrest
- Accessories
- User manual

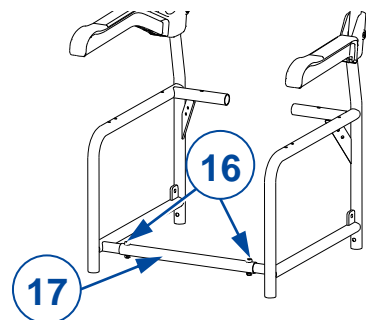
Before use, check if everything is included and that no products are damaged.

4.3 (Dis) Assembly

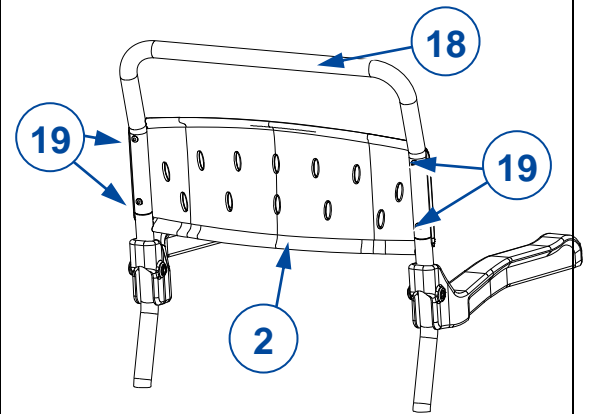


The following description explains the assembly of the chair. To disassemble, follow the steps in reverse order.

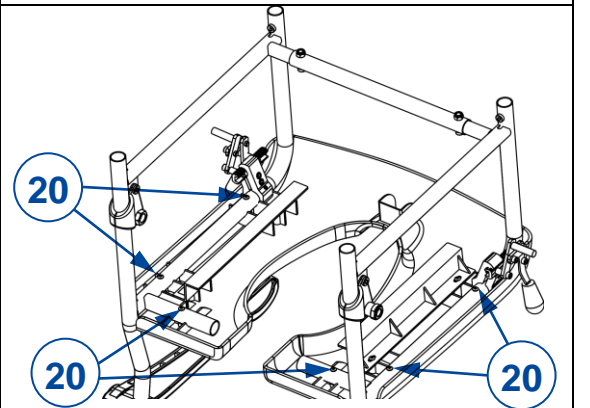
1. Connect left and right frame at the front by frame tube (17):
 - Insert the socket screws (16) in the frame holes and tighten screws and nuts firmly.
 - Verify that the frame parts are well secured.



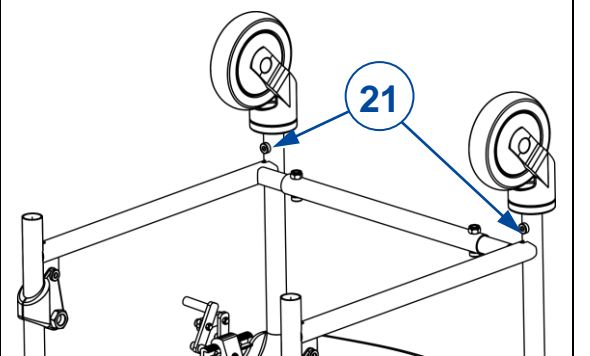
2. Connect left and right frame at the back by backrest frame (18).
- Slide the back frame tube (18) over the protruding tube ends of the side frames.
 - Mount the backrest (2) with the curved side on top.
 - Use the four socket screws (19) and tighten firmly.



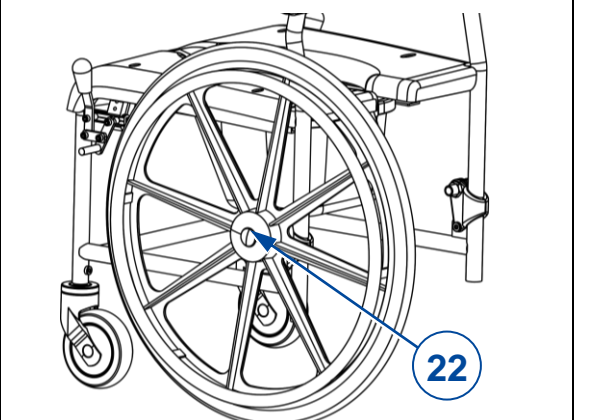
3. Mount the seat:
- Turn the frame upside down and place the seat frame on the underside of the seat.
 - Make sure that the bucket stop is at the front.
 - Tighten the 2x3 socket screws (20) firmly.



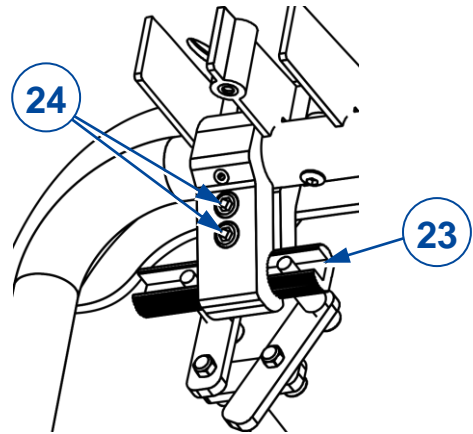
4. Mount the front wheels (2x):
- Insert the tube ends of the wheel supports in the frame-tube ends.
 - Tighten both wheel supports firmly with the socket screw (21).
 - Verify that the front wheels are well secured.



5. Add the rear wheels:
- Only for 5" model: Mount both rear wheels with brakes, see previous step.
 - Only for 24" model: Insert the connection pin (22) of one 24" wheel in the shaft housing on the frame till a click is heard. Repeat this for the second wheel.
 - Verify that the rear wheels are well secured.



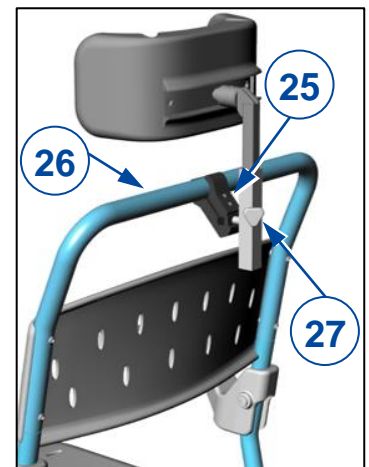
6. Adjust the parking brake (only for 24" model):
- Loosen two socket screws (24).
 - Put the parking brake in braking position (brake lever to the front).
 - Slide the parking-brake support (23) till the brake stop is pressed on the tyre.
 - Tighten the two socket screws (24).
 - Verify that the shower chair stays in position when the brake is applied. If not, repeat the adjustment.
 - Repeat this for the second parking brake.
 - Make sure that both brake supports (23) are well secured.



7. To add footrest (6), see §3.3.

4.4 Mounting and adjusting the headrest

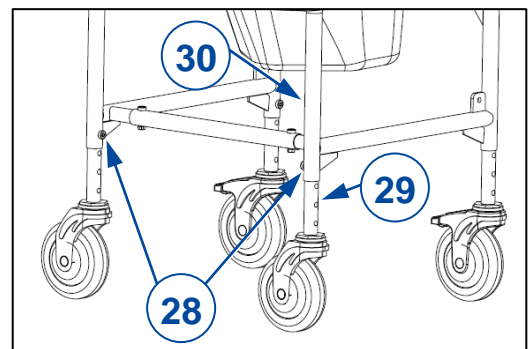
1. Loosen the two screws (25) on the headrest support.
2. Clasp the headrest to the backrest frame (26).
3. Firmly tighten the two screws (25). Make sure that the headrest is well secured.
4. Loosen the knob (27) by hand to adjust the headrest height up/down to the desired position. Retighten the knob firmly.



4.5 Adjusting the seat height (only for 5" wheels)

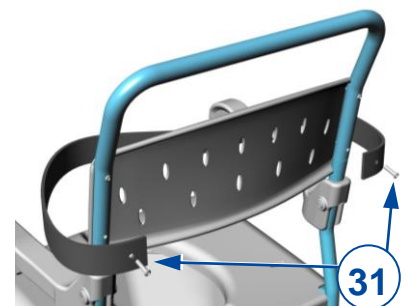
The seat height can be adjusted over a distance of 90 mm (in steps of 30 mm).

1. Remove the screw (28) from the leg.
2. Adjust the leg to the desired height by sliding the inner tube (29) up/down in the outer frame tube (30).
3. Replace the screw (28) and firmly tighten.
4. Repeat for the other legs. Make sure that all legs are firmly secured, and that they have been set to the same height.



4.6 Mounting the safety belt

The safety belt is attached to the frame by the two lower screws (31) of the backrest.



4.7 Mounting the safety bracket

To mount the safety bracket, slide it sideways on the armrests from one side to the other.

5 Maintenance

5.1 Points of maintenance

 CAUTION Risk of injuries and damage

Repairs and replacements may only be undertaken by trained persons and only genuine replacement parts of Vermeiren should be used.

- i** The last page of this manual contains a registration form for the specialist dealer to record each service.

The service frequency depends on the frequency and intensity of use. Contact your dealer to agree to a common timetable for inspection/maintenance/repair.

Before each use

Inspect the following points:

- All parts: Present and undamaged or unworn.
- All parts: Clean, see § 5.2.2.
- Wheels, seat, leg rests, arm rests, foot rests, footplates and headrest (if applicable): Well secured.
- Condition of wheels/tyres, see § 5.2.1.
- Condition of brakes, see § 5.2.1.
- Condition of frame: No deformation, instability, weakness or loose connections
- Seat, backrest, arm pads, leg pads and head rest (if applied): No excessive wear (like dented spots, damage or tears).

Contact your specialist dealer for possible repairs or part replacements.

Yearly or more often

Have your shower chair inspected and serviced by your specialist dealer, at least once a year, or more often. The minimum maintenance frequency depends on use and should therefore be commonly agreed on with your specialist dealer.

5.2 Instructions of maintenance

5.2.1 Wheels and tyres

- i** Proper working of the brakes depends on the state of the tyres, that can change due to wear and contamination (water, oil, mud, ...).

- Keep your wheels free of wires, hair, sand, carpet fibres and soap deposits.
- Check the profile of the tyres. If the tread depth is less than 1 mm, the tyres need to be replaced. Contact your specialist dealer for this matter.

5.2.2 Cleaning

 CAUTION Risk of damage by moisture

- Never use a hose or high-pressure cleaner to clean the shower chair.

Wipe all rigid parts of the shower chair with a damp cloth (not drenched). If necessary, use a mild soap, suitable for varnishes and synthetics.

The shower chair can be cleaned at 85°C during maximum 3 minutes.

5.2.3 Disinfection

 CAUTION Risk of damage

Disinfections may only be undertaken by trained persons. Consult your specialist dealer.

5.3 Troubleshooting

Even if you use your shower chair properly, a technical problem may occur. In this case, contact your local specialist dealer.

 WARNING Risk of injuries and damage to the shower chair

- NEVER attempt to repair your shower chair yourself.

The following symptoms may indicate a serious problem. Therefore, always contact your specialist dealer if you spot any of the following deviations:

- Strange sound;
- Uneven tread wear on one of the tyres;
- Jerky movements;
- Wheelchair deflects to one side;
- Damaged or broken wheel assemblies.

5.4 Expected lifespan

The average lifespan of your shower chair is 5 years. Depending on the frequency of use, driving circumstances and maintenance, the lifespan of your shower chair will increase or decrease.

5.5 End of use

At end of life, you need to dispose your shower chair according to the local environmental legislation. The best way to do so, is to disassemble the shower chair to facilitate the transport of recyclable parts.

6 Technical specifications

The technical details below are only valid for this shower chair, at standard settings and optimal ambient conditions. Take these details into account during use. The values are no longer applicable if your shower chair has been modified, damaged or suffers from severe wear.

Table 1: Technical specifications

Brand	Vermeiren	
Type	Shower chair	
Model	Pluo	
Description	Dimensions 5" standard	Dimensions 24" rear wheels
Max. weight of user	150 kg	150 kg
Total height	1035 mm	1035 mm
Total width	600 mm	680 mm
Total length (adjustable footrest)	720 - 760 - 785 mm	910 - 950 - 975 mm
Dimensions H x W x L folded	1035 x 570 x 570 mm	1035 x 623 x 570 mm
Footrest height and angle (adjustable)	90 - 105 - 120 mm 4° - 7° - 9°	90 - 105 - 120 mm 4° - 7° - 9°
Seat height	515 mm	515 mm
Seat depth	450 mm	450 mm
Seat width	480 mm	480 mm
Height of backrest	920 mm	920 mm
Distance between armrest and seat	225 mm	225 mm
Front location of armrest structure (footrest in most front position)	605-665 mm	605-665 mm
Total mass	9,7 kg	14,0 kg
Mass of heaviest part	8,0 kg	7,2 kg
Mass of removable parts	24" Wheel: Footrest: Toilet bucket:	2,5 kg (each) 1,0 kg 0,7 kg
Volume toilet bucket	9,3 litre	9,3 litre
Front wheel diameter	125 mm (2x, swivelling, without brakes)	125 mm (2x, swivelling without brakes)
Rear wheel diameter	125 mm (2x, swivelling with brakes)	600 mm (2x fixed, with brakes)
Hand -rim diameter	NA	530 mm
Use temperature	5°C ~ +50°C	
Clean temperature	85°C for max. 3 minutes	
Storage temperature	+5°C ~ +65°C	
<p>We reserve the right to introduce technical changes. Measurement tolerance ± 15 mm / 1,5 kg / 1,5°. NA = not applicable</p>		



Service registration form

This product (name):

was inspected (I), serviced (S), repaired (R) or disinfected (D):

By (stamp): Kind of work: I / S / R / D Date:	By (stamp): Kind of work: I / S / R / D Date:	By (stamp): Kind of work: I / S / R / D Date:
By (stamp): Kind of work: I / S / R / D Date:	By (stamp): Kind of work: I / S / R / D Date:	By (stamp): Kind of work: I / S / R / D Date:
By (stamp): Kind of work: I / S / R / D Date:	By (stamp): Kind of work: I / S / R / D Date:	By (stamp): Kind of work: I / S / R / D Date:
By (stamp): Kind of work: I / S / R / D Date:	By (stamp): Kind of work: I / S / R / D Date:	By (stamp): Kind of work: I / S / R / D Date:
By (stamp): Kind of work: I / S / R / D Date:	By (stamp): Kind of work: I / S / R / D Date:	By (stamp): Kind of work: I / S / R / D Date:



Vermeiren GROUP
Vermeirenplein 1 / 15
2920 Kalmthout
BE

website: www.vermeiren.com

Instructions for specialist dealer

This instruction manual is part and parcel of the product and must accompany every product sold.

Version: C, 2022-03

Basic UDI: 5415174 120903Pluo TK

All rights reserved, including translation.

VERMEIREN
we care for you