

VERMEIREN

Interval

INSTRUCTION MANUAL





Instructions to the specialist dealer

This instruction manual is part and parcel of the product and must accompany every product sold.

Version: B, 2013-06

All rights reserved, including translation.

No part of this manual may be reproduced in any form whatsoever (print, photocopy, microfilm or any other process) without written permission of the publisher, or processed, duplicated or distributed by using electronic systems.

© N.V. Vermeiren N.V. 2013



Contents

Preface	2
1 Productdescription	3
1.1 Intended Use.....	3
1.2 Technical specifications	4
1.3 Components.....	5
1.4 Explanation of symbols	5
1.5 Accessories.....	6
1.6 For your safety	6
2 Use	7
2.1 Control pendant with lock function.....	7
2.2 Operating the steering casters	8
2.3 Strain relief	8
2.4 Power cable	9
2.5 Emergency lowering of the headrest.....	10
2.6 Side railings.....	10
2.7 Lifting pole.....	11
2.8 Transfer in and out the bed.....	11
2.9 Transport	11
2.10 Cable placement	12
3 Installation and adjustment	12
3.1 Tools	12
3.2 Manner of delivery	13
3.3 Assembly	14
4 Maintenance	16



Preface

First of all we want to thank you for putting your trust in us by selecting one of our products.

The Vermeiren beds are the result of many years of research and experience. During the development, special attention was given to the ease of use and the serviceability of the bed.

The expected lifetime for your bed is strongly influenced by the care and maintenance of the bed.

This manual will help you get acquainted with the operation of your bed.

Following the user instructions and the maintenance instructions are an essential part of the warranty.

This manual reflects the latest product developments. Vermeiren has the right to introduce changes without the obligation to adapt or replace previously delivered models.

For any further questions, please consult your specialist dealer.



1 Productdescription

1.1 *Intended Use*

With the Interval model, you have acquired a nursing bed that was developed entirely for your comfort. This nursing bed offers a number of individual adjustment possibilities which are explained below.

The nursing bed is designed for a single adult patient (from 12 years, up to maximum user weight (see table 1))

The bed shall be used with a suitable mattress (min. RG 35, 120 mm (4.7 in) thick , max. 20 kg (44 lb.))

The modular construction of the bed allows full use by disabled persons, elderly people or during revalidation in home environment.

When providing for individual requirements:

- body size and weight (max. 150kg (330.69 lb.) for Interval 90 cm, max. 240 kg (529.1 lb.) for Interval 120 cm, max 240 kg (529.1 lb.) for Interval 140 cm)
- physical and psychological condition
- residential circumstances
- environment

should be taken into consideration.

The bed is suited for application environment 4 of ISO 60601-2-52: "care provided in a domestic area where ME equipment is used to alleviate or compensate for an injury, disability or disease".

Your bed should only be used on surfaces where all four wheels are touching the ground.

The bed should not be used as a ladder, nor is it a transport for heavy or hot objects.

When used on mats, carpeted floors or loose floor coverings, the floor covering can get damaged and it is difficult to push over such surfaces (without patient).

Use only Vermeiren approved accessories. It is not permitted to combine the bed with other products or equipment or other electrically driven appliances.

The manufacturer is not liable for damage caused by the lack of or improper service or as a result of not following instructions from this manual.

Compliance with the user and maintenance instructions are an essential part of the guarantee conditions.



1.2 Technical specifications

(Given in fully assembled condition)

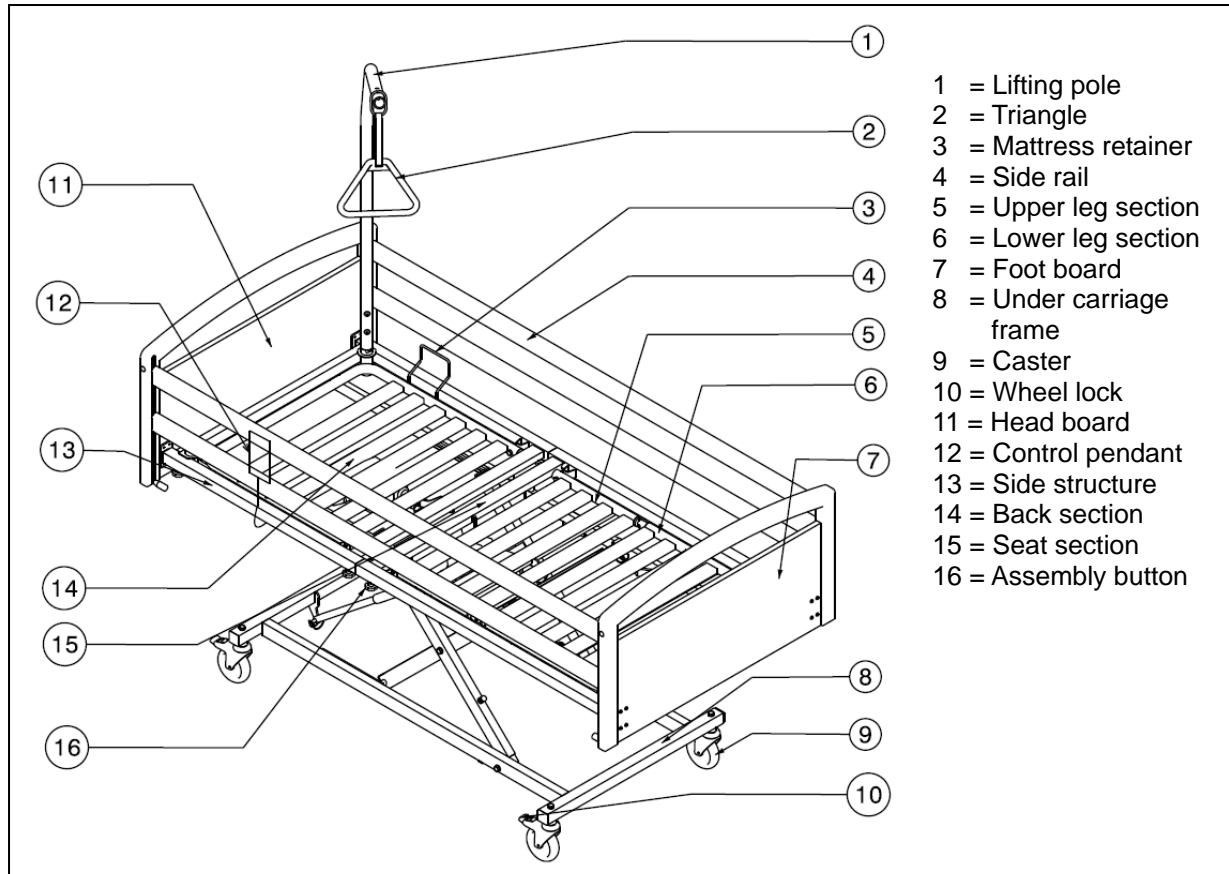
Make	Vermeiren			
Address	Vermeirenplein 1/15, B-2920 Kalmthout			
Type	Bed			
Model	Interval, Interval 120 cm, Interval 140 cm			
Description	Interval 90 cm	Interval XXL		
		Interval 120 cm	Interval 140 cm	
Maximum occupant mass	Nominal load 150 kg (330.7 lb.)	Nominal load 240 kg (529.1 lb.)	Nominal load 240 kg (529.1 lb.)	
Length	2080 mm (81.89 in)			
Width	1030 mm (40.55 in)	1330 mm (52.36 in)	1530 mm (60.24 in)	
Height adjustment of the bed surface	Continuously from 370 to 805 mm (without mattress)			
Total mass (excl. side rails, lifting pole and triangle)	106 kg (233.7 lb.)	124 kg (273.4 lb.)	139 kg (306.4 lb.)	
Adjustment of the back section	70.5°			
Max. thigh angle	28.5°			
Max. angle for lower leg	-20.5°			
Max. safe working load *	185 kg (407.9 lb.)	275 kg (606.3 lb.)	275 kg (606.3 lb.)	
Lifting pole	Nominal load 80 kg (176.4 lb.)			
Mattress	Min. RG 35, thickness 120 mm, 2000 x 900 mm, max. 20 kg (thickness 4.7 in, 78.7 x 35.4 in, max. 44 lb.)	Min. RG 35, thickness 120 mm, 2000 x 1200 mm, max. 20 kg (thickness 4.7 in, 78.7 x 47.2 in, max. 44 lb.)	Min. RG 35, thickness 120 mm, 2000 x 1400 mm, max. 20 kg (thickness 4.7 in, 78.7 x 55.1 in, max. 44 lb.)	
Under clearance for patient lift	145 mm (5.7 in)			
Steering casters (4 pieces)	Ø 125 mm (4.9 in), can be locked			
Front part of motor	LA31.28-300-24-001, Linak			
Back section motor	LA31.2JB-100-24-301, Linak			
Leg section motor	LA31.2J-100-24-301, Linak			
Manual operation	HLW072-002, Linak (Interval type 1040) HLW073-005, Linak (Interval type 1042)	HLW073-005, Linak (Interval type 1042)	HLW073-005, Linak (Interval type 1042)	
Transformer	CB 09SO-3T-24, Linak			
Nominal voltage, transformer	U input: 230 V~, ± 10%, 50 Hz, current: max. 1.5 A, output voltage: 24V ---, max. 70 VA			
Period switched on	10%, max. 6 min/hour			
Noise level	< 65 dB(A)			
Class / Kind of protection	Protection class II, application part Type B / IPX4 (spray protection)			
Storage and use temperature	+ 5 °C (+41 °F)	+ 41 °C (+106 °F)		
Storage and use humidity	30%	70%		
We reserve the right to introduce technical changes. Measurement tolerance ± 15 mm / 1,5 kg / ° (0.59 in. / 3,3 lb. / 1,5°)				
* Max. safe working load = mass user weight + mass mattress + mass other accessories				

Table 1: Technical specifications

The bed complies to the requirements set up in:

- EN 1970: Adjustable beds for disabled persons: Requirements and test methods
 EN 1970+ A1: Adjustable beds for disabled persons: Requirements and test methods
 EN 60601-2-38/A1: Medical electrical equipment - Part 2-38: Particular requirements for the safety of electrically operated hospital beds

1.3 Components



1.4 Explanation of symbols

- Maximum mass
- CE conformity
- Safety instructions
- Observe the instructions for use
- The correct procedure or method of use
- Incorrect procedure or method of use
- Protection class II
- Type B application
- Type designation



Accessories

⚠ WARNING: Precautions shall be taken if accessories not listed below are used.

- Third bedside wood

1.6 For your safety

- ⚠ Carefully read the instruction manual before using the nursing bed.
- ⚠ Place and use your nursing bed only on straight and level surfaces and ensure that all four steering castors stand securely on the floor.
- ⚠ When the bed is placed in position, make sure that no obstacles are present inside the entire adjustment range.
- ⚠ If the patient is not supervised, the bed must be adjusted beforehand to the lowest position to reduce the danger of injury by falling when getting into, getting out of, or lying on the bed.
- ⚠ If the patient is not under supervision, the side-rail on both sides should be raised to the highest position. The railings may only be lowered on one or both sides when a supervisor is present.
- ⚠ Watch your hands when assembling, disassembling or using the bed -- danger of squeezing!
- ⚠ When transporting the bed, grasp it only by solid frame parts and wooden parts.
- ⚠ All four steering castors must always be locked before using the nursing bed.
- ⚠ Medical-electrical treatments are forbidden inside the nursing bed!
- ⚠ Do not lean against or on the side railings -- Risk of accidents!
- ⚠ Avoid leaning out sideways with the upper body -- Risk of accidents!
- ⚠ Do not rest your legs on other objects -- Risk of accidents!
- ⚠ When adjusting hinges, joints or other clamps, make sure that no body parts or objects are present -- Risk of squeezing!
- ⚠ Do not place your hands between the frame and the mattress when adjusting leg or back rests -- Risk of squeezing!
- ⚠ Use only power sockets conforming to VDE (220 V / 230 V, 50 Hz) for plugging in.
- ⚠ Plugs must only be pulled out by grasping the plug itself; never pull on the lead.
- ⚠ Lock manual operation with the lock function on the manual control each time after use.
- ⚠ The nursing bed must only be used in dry rooms.
- ⚠ Only use mattresses which comply to the prescriptions of the bed manufacturer.
- ⚠ If the lifting pole is damaged, it should be replaced.
- ⚠ The side railings must be fitted even if the relevant side is situated against the wall.
- ⚠ Do not undertake repairs on your own -- risk of accidents!
- ⚠ Do not open any housings of the driving system -- risk of accidents!
- ⚠ Transportation of the bed shall be only without the patient.
- ⚠ Make sure that all power leads are laid without kinks, shearing or other mechanical damages.
- ⚠ All cables should be laid without making contact to the floor and without kinks.
- ⚠ No additional mechanical or electric appliances may be used or fitted.
- ⚠ Servicing, inspection, repairs and disinfection should only be undertaken by authorized, trained persons.
- ⚠ Use only genuine replacement parts of the manufacturer for your nursing bed.
- ⚠ Do not exceed the maximum load as stated by the manufacturer.
- ⚠ The use of open flames like candles or glowing objects like cigarettes is forbidden inside the nursing bed.
- ⚠ Replace the side railings if they are bent or broken, otherwise there is a risk of the patient falling out of the bed.

- ⚠ Use of your bed could influence other electrical devices (noises). Avoid using such devices at the same time.
- ⚠ Obey all safety and operational instructions.
- ⚠ Electrically operated bed is placed with a distance to the power supply plug.
- ⚠ The medical bed shall only be used with a hoist that can be positioned under the limited space of the medical bed.

2 Use

This chapter describes the everyday use. **These instructions are for the user and the specialist dealer.**

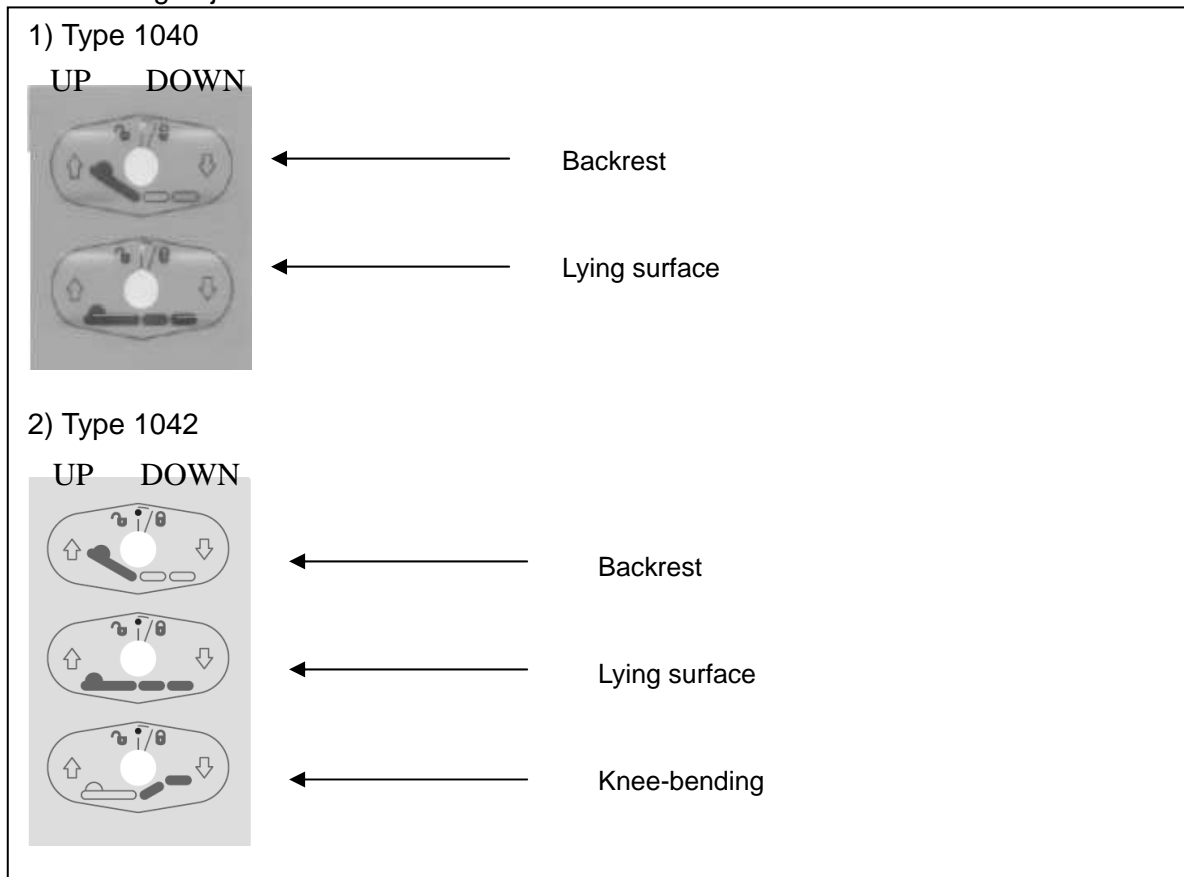
The bed is delivered fully assembled by your specialist dealer. The instructions intended for the specialist dealer on how to set up the bed are given in § 3.

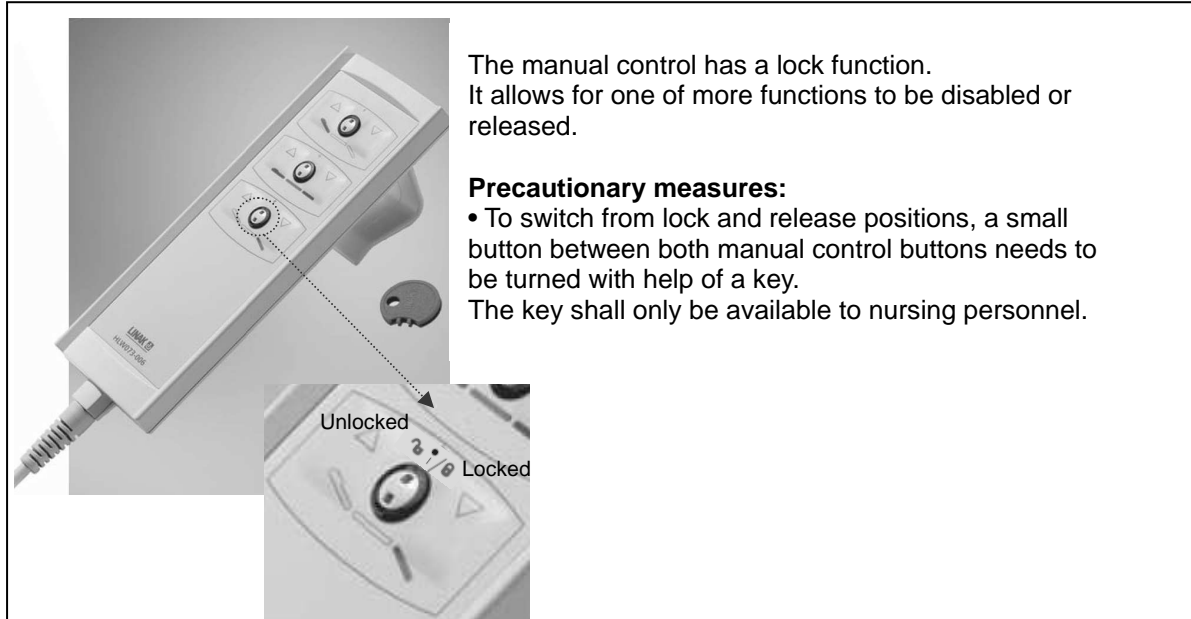
- ⚠ **WARNING: Risk of electrical shock - Ensure that no cables become squeezed.**
- ⚠ **WARNING: The medical bed shall only be used with a hoist that can be positioned under the limited space of the bed.**

2.1 Control pendant with lock function

The height of the bed surface, the angle of the backrest and the knee-bending angle can be adjusted with the control pendant. Lock and mount the control pendant on the side rail after use.

The following adjustments can be affected:



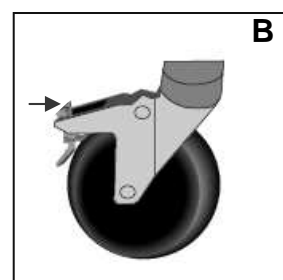
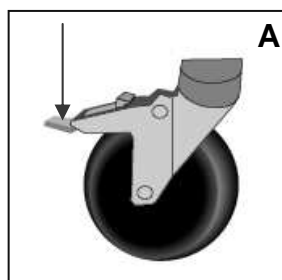


2.2 Operating the steering casters

- ⚠ **WARNING:** Good operation of the steering casters is influenced by wear and contamination of the tires (water, oil, ...) – Check the condition of the tires before each use.
- ⚠ **WARNING:** The steering casters can wear – Check the operation of the steering casters before each use.
- ⚠ **WARNING:** Danger of accidents - All steering casters should always be braked. If only one caster is braked, the bed can still move.

All steering wheels can be locked to prevent involuntary movements.

- **Securing (A)**
Push the surface of the tilting lever downwards by foot until it brakes the wheel.
- **Releasing (B)**
Push the surface of the tilting lever forwards by foot until the wheel is released.

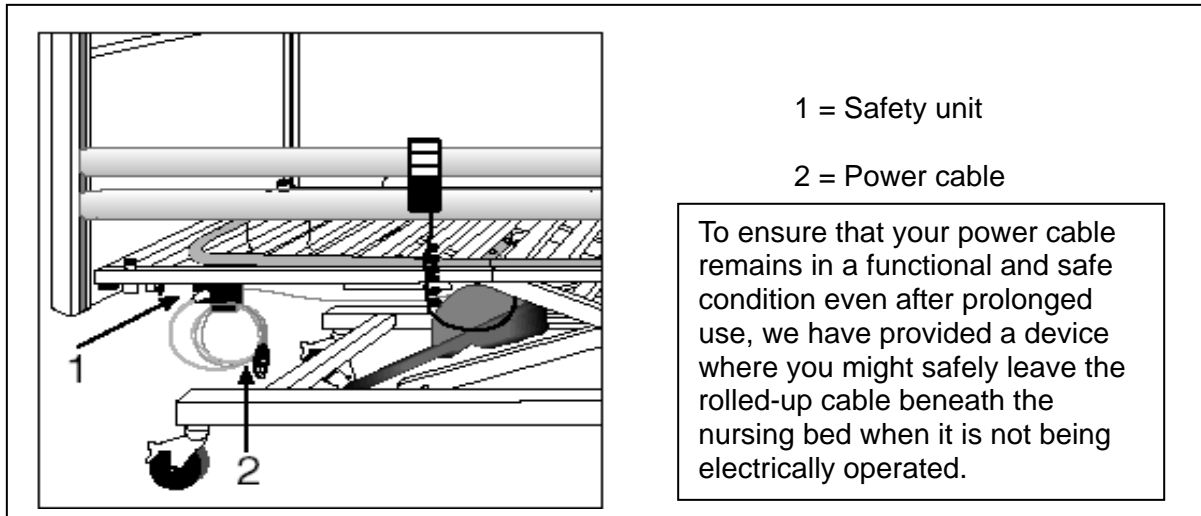


2.3 Strain relief

- ⚠ **WARNING:** Do not remove the relief unit.
- ⚠ **WARNING:** Nothing must be fitted to or hung on the relief unit.
- ⚠ **WARNING:** The power cable must be carefully positioned without kinks, without pulling, and without touching the floor.

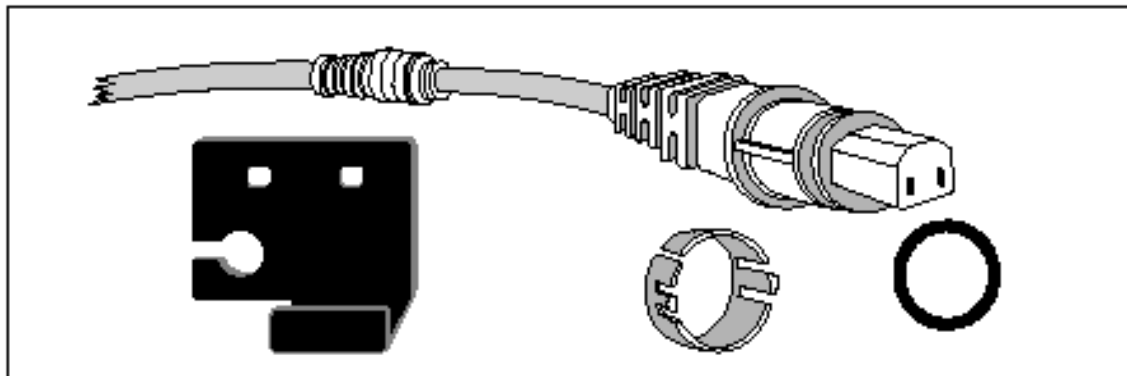
For your safety the power cable is fitted with a relief device that prevents the power plug from being pulled away from the transformer, this may break the cable or reduce the effectiveness of the spray water protection of the system.

At the same time it avoids involuntary driving over the power cable if it should lie beneath the bed. This relief unit is mounted ready for use.



2.4 Power cable

To ensure that your power cable stays properly functional and in a technically secure condition even after prolonged use, and in the case that you do not operate your bed electrically, we have provided a device where you can safely leave the rolled-up cable beneath the nursing bed.

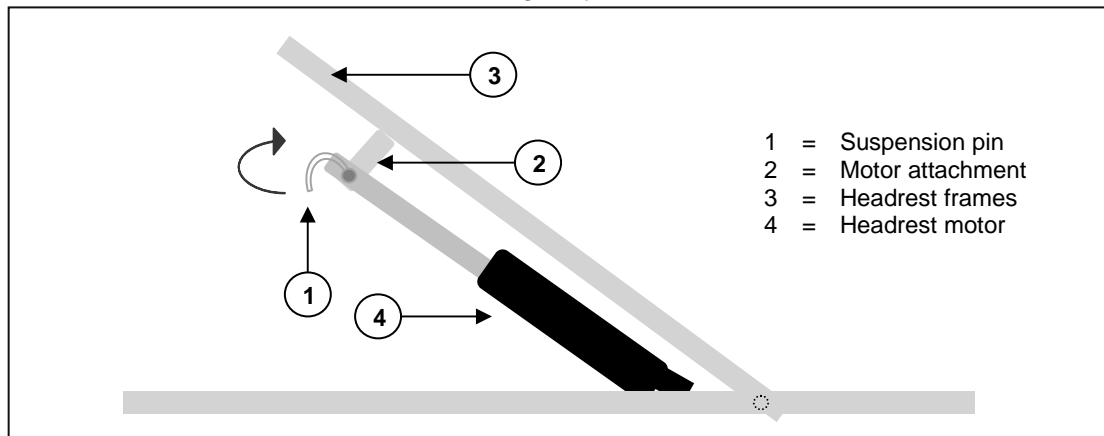


2.5 Emergency lowering of the headrest

- ⚠ **WARNING: Risk of injury - Make sure that there are no objects or body parts between the headrest and the frame.**
- ⚠ **WARNING: Risk of injury - Emergency lowering is only permitted if at least two persons are available.**

The headrest can be lowered manually (emergency lowering in the case of motor failure).

- Procedure:
1. Firmly grasp the head-rest to prevent it from falling.
 2. A second person can release the suspension pin by folding the securing batch and pulling the pin from the motor suspension.
 3. Lower the head-rest gently.



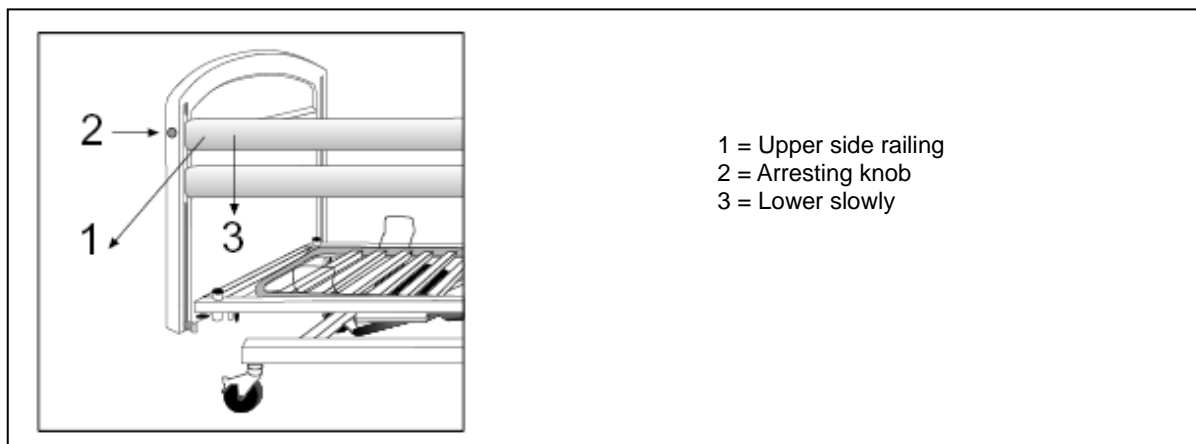
2.6 Side railings

The side railings can be lowered on one side.

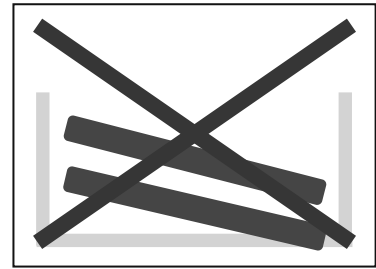
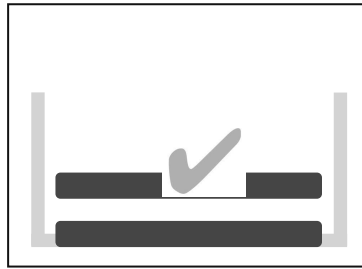
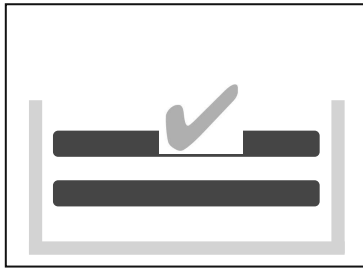
- **Lowering**

- ⚠ **WARNING: Risk of injury - Secure the side railings against falling involuntarily.**
- ⚠ **WARNING: Risk of injury - No objects or body parts may extend above the lying surface!**
- ⚠ **WARNING: Risk of injury - Do not lower any of the side railings on one side if the patient is not supervised.**

1. Raise the upper side slat gently.
2. Press the knob ② on the side of the headrest or foot-end.
3. Lower the side rail gently. (Always take hold of the upper wooden slat only !)

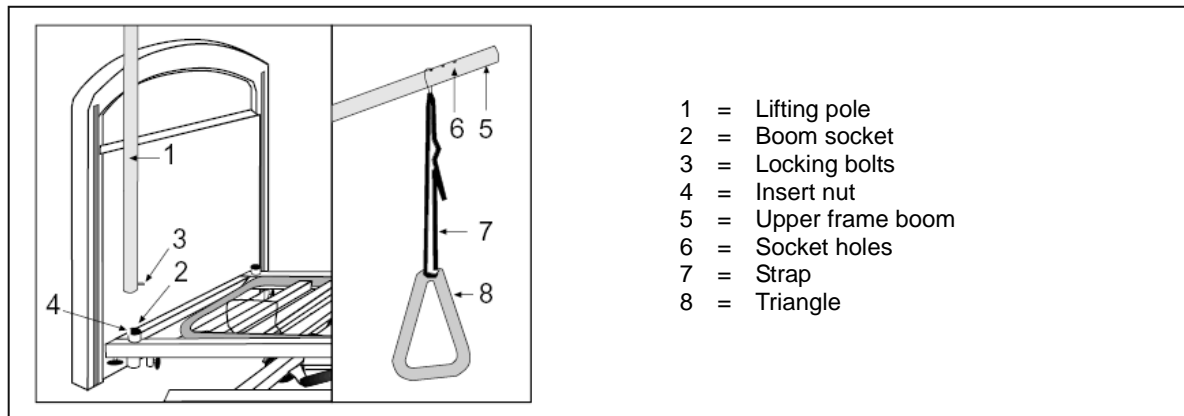


Make sure that the bed's functions are not impaired when raising or lowering the side-rails, for example when using wedges to ensure the patient's safety.



2.7 Lifting pole

The lifting pole can be mounted on either side of the headrest.



- Insert the boom (1) as far as it will go into the relevant socket (2).
- Let the arresting bolts (3) slide into the groove (4).
- Pull the metal loop over the end of the upper frame (5) until the bolts engage one of the three socket holes (6).
- Also pull strap (7) into the metal loop and through the triangle (8); then fix its length. Secure the strap.

2.8 Transfer in and out the bed

⚠ CAUTION: Risk of falling - In case you can't perform the transfer in a safe manner, ask someone to assist you.

1. Position you as close as possible to the bed.
2. Check the brakes from the bed are in the on position.
3. Remove or fold down the side railings of the bed.
4. Transfer to/from the bed.

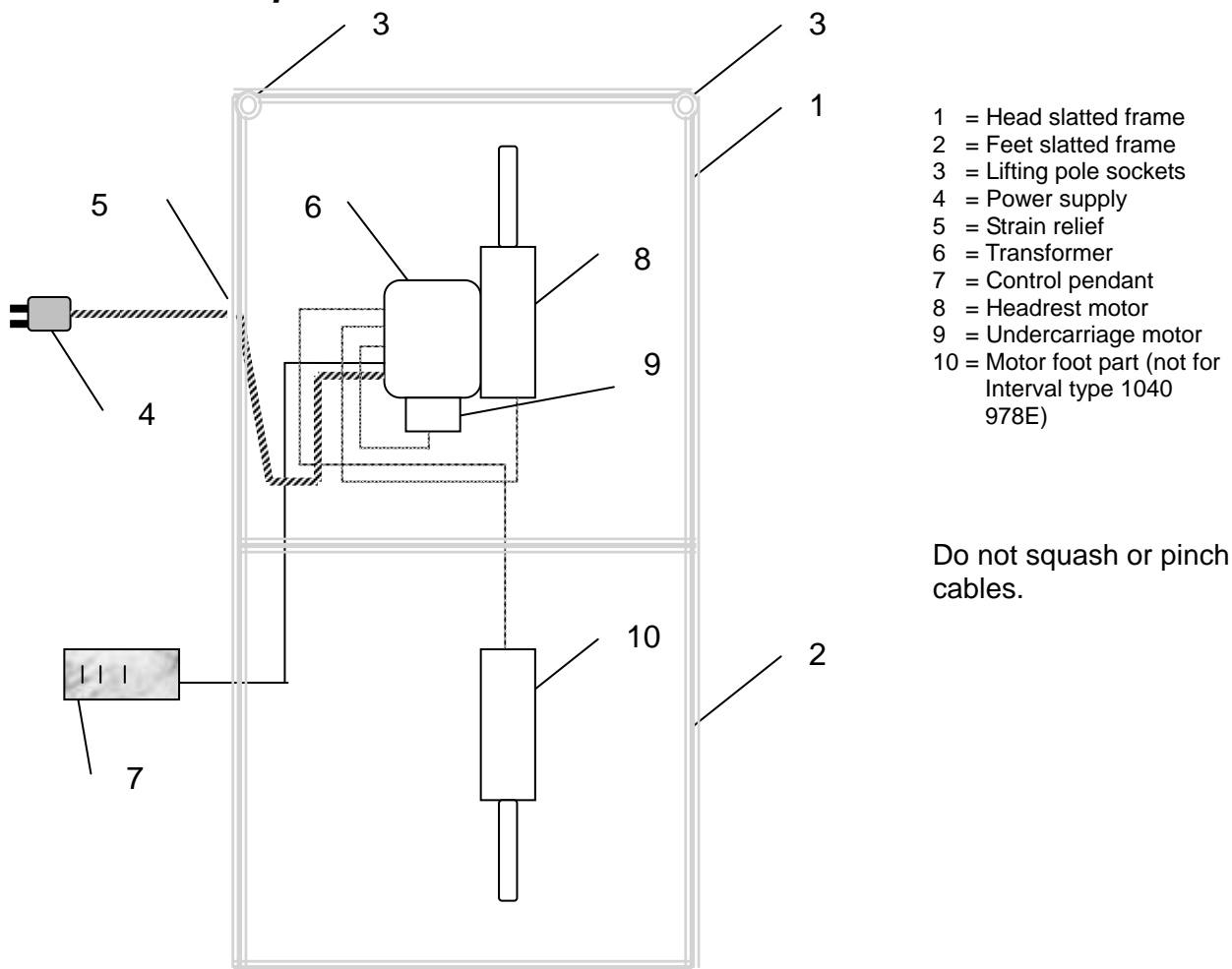
2.9 Transport

⚠ WARNING: Risk of injury – Make sure that the bed is attached properly in the car or truck.

⚠ WARNING: Risk of injury – Transportation of the bed shall be only without the patient.

To avoid damage when transported, the lifting pole should be detached. Unplug the power cable and check that no cables hang near the floor.

2.10 Cable placement



3 Installation and adjustment

The instructions in this chapter are for the specialist dealer.

To find a service facility or specialist dealer near you, contact the nearest Vermeiren facility. A list of Vermeiren facilities can be found on the last page.

⚠ WARNING: Risk of unsafe settings - Use only the settings described in this manual.

3.1 Tools

To set up the bed the following tools are needed.

- Allen key
- Screwdriver

3.2 Manner of delivery

The Vermeiren Interval shall be delivered with:

1) Interval type 1040 90 cm

- Undercarriage with hinged system (972) Approx. 30 kg (66.1 lb.)
- Slatted frame, foot-end (978E) Approx. 25 kg (55.1 lb.)
- Slatted frame, headrest incl. transformer and motor (978E) Approx. 25 kg (55.1 lb.)
- Wooden blind (head and foot-end) (965) Approx. 26 kg (57.3 lb.)
- Side railings (2 x 2 wooden slats) (969) Approx. 11 kg (24.3 lb.)
- Lifting pole + triangular grip (968) Approx. 7 kg (15.4 lb.)
- Manual operation (with 978E)
- Allen key (for assembly) (with 965)
- Instruction Manual

2) Interval type 1042 90cm

- Undercarriage with hinged system (972) Approx. 30 kg (66.1 lb.)
- Slatted frame, foot-end incl. motor (977E) Approx. 28 kg (61.7 lb.)
- Slatted frame, headrest incl. transformer and motor (977E) Approx. 25 kg (55.1 lb.)
- Wooden blind (head and foot-end) (965) Approx. 26 kg (57.3 lb.)
- Side railings (2 x 2 wooden slats) (969) Approx. 11 kg (24.3 lb.)
- Lifting pole + triangular grip (968) Approx. 7 kg (15.4 lb.)
- Manual operation (with 977E)
- Allen key (for assembly) (with 965)
- Instruction Manual

3) Interval type 1042 120 cm

- Undercarriage with hinged system (972) Approx. 35 kg (77.2 lb.)
- Slatted frame, foot-end incl. motor (977E) Approx. 33 kg (72.8 lb.)
- Slatted frame, headrest incl. transformer and motor (977E) Approx. 30 kg (66.1 lb.)
- Wooden blind (head and foot-end) (965) Approx. 26 kg (57.3 lb.)
- Side railings (2 x 2 wooden slats) (969) Approx. 11 kg (24.3 lb.)
- Lifting pole + triangular grip (968) Approx. 7 kg (15.4 lb.)
- Manual operation (with 977E)
- Allen key (for assembly) (with 965)
- Instruction Manual

4) Interval type 1042 140 cm

- Undercarriage with hinged system (972) Approx. 40 kg (88.2 lb.)
- Slatted frame, foot-end incl. motor (977E) Approx. 38 kg (83.8 lb.)
- Slatted frame, headrest incl. transformer and motor (977E) Approx. 35 kg (77.2 lb.)
- Wooden blind (head and foot-end) (965) Approx. 26 kg (57.3 lb.)
- Side railings (2 x 2 wooden slats) (969) Approx. 11 kg (24.3 lb.)
- Lifting pole + triangular grip (968) Approx. 7 kg (15.4 lb.)
- Manual operation (with 977E)
- Allen key (for assembly) (with 965)
- Instruction Manual

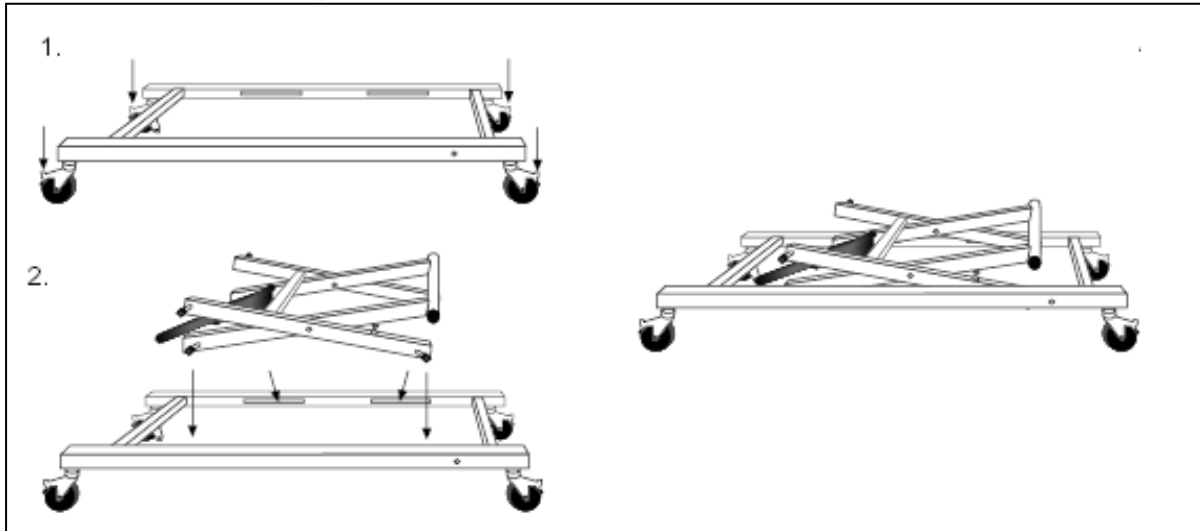
The nursing bed may only be used with the parts listed here. If parts are omitted or if foreign furnishings, components or electrical systems are included, then this bed is not regarded as a nursing bed supplied by the manufacturer, and you use it at your own risk. Then the CE conformity and the warranty of the manufacturer do not apply.

3.3 Assembly

- ⚠ **CAUTION:** Chance of pinching - Do not place fingers between the components of the bed.
- ⚠ **CAUTION:** Risk of clamping - Keep fingers away from moving parts of the bed.

You should obey the assembly instructions of your nursing bed as explained below.

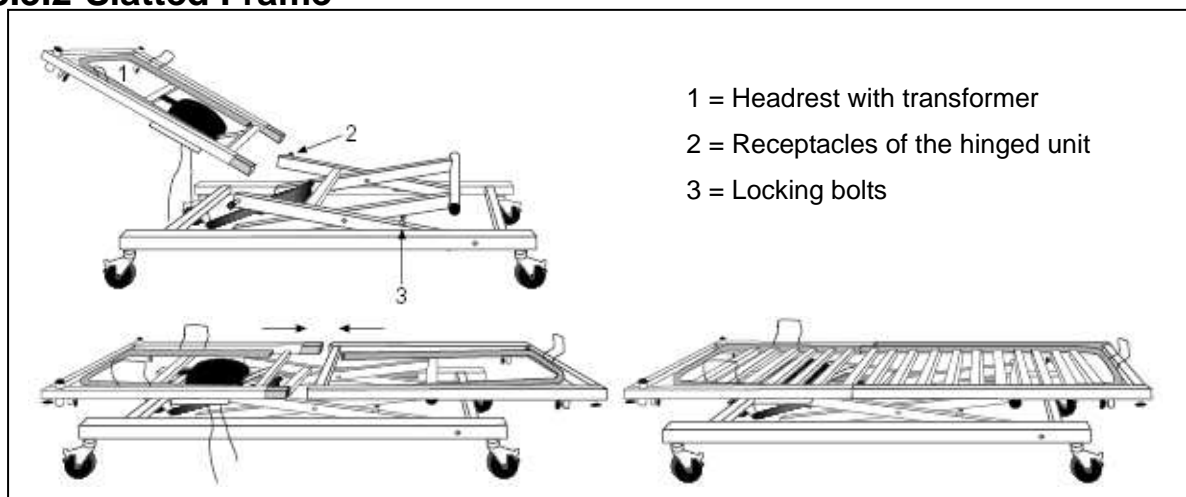
3.3.1 Undercarriage



1. Position the frame with the steering castors on a smooth, level surface and lock the castors by treading on the arresting levers.
2. Insert the hinged unit in such a way that the arresting bolts engage properly.

Protect the electric lead to the motor against damage by squashing.

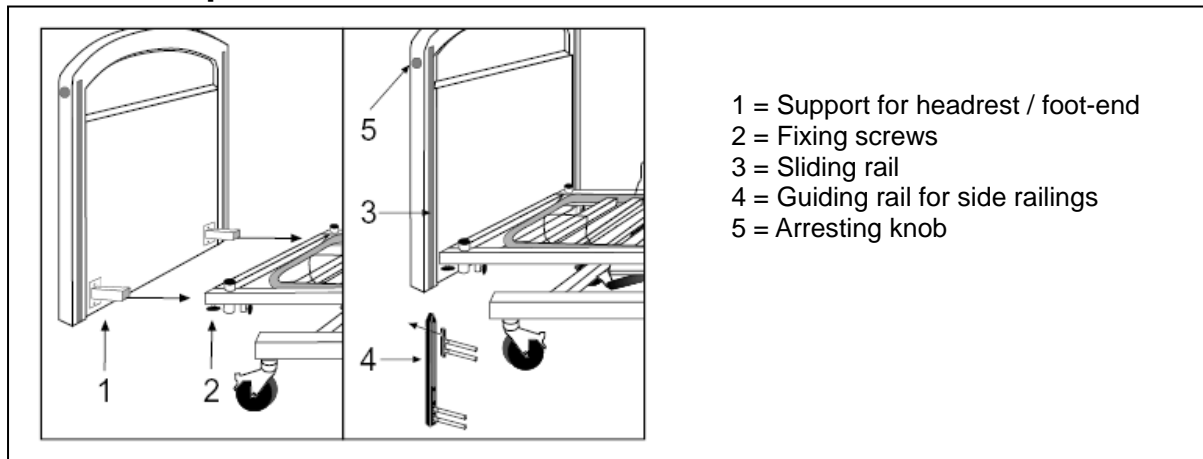
3.3.2 Slatted Frame



1. Headrest (with transformer) should be placed in the black receptacles of the hinged structure. The locking bolts of the slatted frame are for security.
2. Pull the foot-end with its rails from the rear over the rollers of the hinged unit.
3. Push the coupling tubes into each other and secure them on both sides with the fixing screws.
4. Lay the slats on the guides and gently press them in to position.

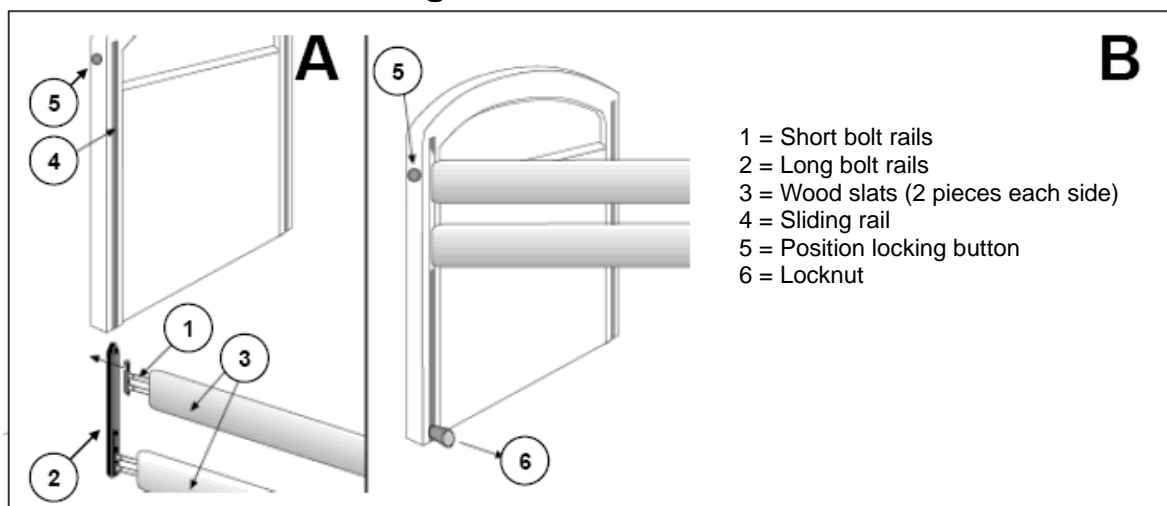
Protect the electric lead to the motor against damage by squashing.

3.3.3 Head part / foot-end



1. Fit the supports for the headrest and the foot-end by means of the screws and washers provided (preparatory assembly).
2. Insert the wooden uprights in the end tubes of the slatted frame and secure them with the fixing screws.
3. Push the guide rails for the side railings with the sharp edge pointing upwards into the guide rails of the head and foot sections until fully engaged.

3.3.4 Wooden side railings



- A.** Insert the short bolt rails (1) on the right and left in the upper wooden slat. Insert the long bolt rails (2) right and left in the lower wooden slat.

Insert the long bolt rails (2) in the wooden slat in the sliding rail for the head and foot section one by one and secure them by inserting the rails until the upper end is inserted and clicks. On one side release this rail again until the tip by pressing the position locking button (5) and pulling the upper wooden slat gently upwards.

Let the bolt rails (2) fall from the sliding rail once more until the tip of the rail is just barely in the guide. The short bolt rail (1) can now be inserted together with the wooden slat between the walls of the long bolt rails and the entire bolt rail system (1) + (2) can be placed in the relevant sliding rail (4) by pulling upwards when grasping only the upper wooden slat and then locking the structure in position.

- B.** Insert the locknuts (6) and tighten them manually.

3.3.5 Transformer connections

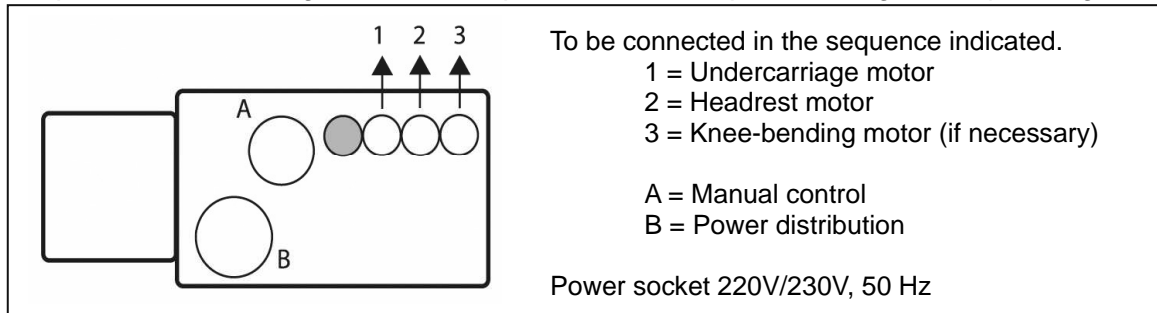
- ⚠ **CAUTION: Risk of injury - Do not touch the plug with wet hands.**
- ⚠ **CAUTION: Risk of injury - Do not place any objects on the connection and the lead, and protect these against mechanical loads.**

1. A 220 V / 230 V, 50 Hz power socket conforming to the VDE specifications is required
2. The diagram for the transformer connections is given in the figure below:

Take hold of the plug only to remove it from the power socket.

The power lead must be laid without any loops or kinks and should not pass around sharp edges.

The power cable leading to the control pendant must be protected against squeezing.



4 Maintenance

For the maintenance manual of the beds refer to the Vermeiren website:
www.vermeiren.be.

ITALIANO

GARANZIA CONTRATTUALE

La carrozzina manuale sono garantite 5 anni, la carrozzina ultra leggera 4 anni. Le carrozzine elettroniche, tricicli, letti e altri prodotti: 2 anno contro tutti i difetti di costruzione o di materiale (batterie 6 mesi). Multiposizioni 3 anni. Questa garanzia e' limitata alle sostituzione di parti riconosciute difettose.

CONDIZIONI

Per far valere la garanzia, e' necessario indirizzarla al vostro distributore di fiducia che presentera' al produttore il tagliando.

RISERVE

Questa garanzia non potra' essere applicata nei seguenti casi:

- danno dovuto al cattivo ed improprio utilizzo della carrozzina,
- danno subito durante il trasporto,
- incidente o caduta,
- smontaggio, modifica, o riparazione effettuate in proprio,
- usura abituale della carrozzina,
- invio del tagliando di garanzia con la data di acquisto.



B

Naam/Nom/Name

Name/Nome

Adres/Adresse/Address

Adresse/Indirizzo

Woonplaats/Domicile/Home

Wohnort/Citta

E-mail

Artikel/Article/Article

Articolo/Articolo

Reeks nr./N° de série/Serie nr.

Serien-Nr./No. di serie

Aankoopdatum/Date d'achat/Date of purchase

Kaufdatum/Data di acquisto

Stempel verkoper/Timbre du vendeur

Dealer stamp/Händlerstempel

Timbro del rivenditore

VERMEIREN



**WAARBORG
GARANTIE
WARRANTY
GARANTIE
GARANZIA**

N.V. VERMEIREN N.V.

VERMEIRENPLEIN 1-15

B-2920 Kalmthout

Tel.: 00 32 (0)3 620 20 20

Fax: 00 32 (0)3 666 48 94

www.vermeiren.com

A

Naam/Nom/Name

Name/Nome

Adres/Adresse/Address

Adresse/Indirizzo

Woonplaats/Domicile/Home

Wohnort/Citta

E-mail

Artikel/Article/Article

Articolo/Articolo

Reeks nr./N° de série/Serie nr.

Serien-Nr./No. di serie

Aankoopdatum/Date d'achat/Date of purchase

Kaufdatum/Data di acquisto

Stempel verkoper/Timbre du vendeur

Dealer stamp/Händlerstempel

Timbro del rivenditore

NEDERLANDS

CONTRACTUELE GARANTIE

Op de manuele rolstoelen geven wij 5 jaar, lichtgewicht rolstoelen 4 jaar. Op de elektronische rolstoelen, driewielers, bedden en andere producten : 2 jaar waarbij op constructie - of materiaalhouren (batterijen 6 maanden). Op multipositie rolstoelen geven we 3 jaar waarbij. Deze garantie is uitdrukkelijk beperkt tot de vervanging van defecte stukken of onderdelen.

TOEPASSINGSVOORWAARDEN

Om aanspraak te kunnen maken op de waarborg, bezorgt u het garantiecertificaat dat u heeft, bewaard, aan uw Vermeiren dealer. De waarborg is enkel geldig in de zetel van de onderneming.

UITZONDERINGEN

Deze garantie is niet van toepassing in geval van:

- schade te wijten aan het verkeerd gebruik van de rolstoel,
- beschadiging tijdens het transport,
- een val of een ongeval
- een demontage, wijziging of herstelling uitgevoerd buiten onze firma,
- normale slijtage van de rolstoel,
- niet inzenden van de garantiestrook.

FRANCAIS

GARANTIE CONTRACTUELLE

Les fauteuils manuels standard sont garantis 5 ans, les fauteuils ultra légers 4 ans. Les fauteuils électroniques, tricycles, lits et autres produits: 2 ans contre tous vices de construction ou de matériaux (batteries 6 mois). Fauteuils multiposition 3 ans. Cette garantie est expressément limitée au remplacement des éléments ou pièces détachées reconnus défectueux.

CONDITIONS D'APPLICATION

Pour prétendre à cette garantie, il faut présenter le certificat de garantie que vous avez conservé à votre distributeur Vermeiren. La garantie est uniquement valable au siège de la société.

RESERVES

Cette garantie ne pourra être appliquée en cas de:

- dommage dû à la mauvaise utilisation du fauteuil,
- endommagement pendant le transport,
- accident ou chute,
- démontage, modification ou réparation fait en dehors de notre société,
- usure normale du fauteuil,
- non retour du coupon de garantie.

ENGLISH

CONTRACTUAL WARRANTY

We offer 5 years of warranty on standard wheelchairs, lightweight wheelchairs 4 years. Electronic wheelchairs, tricycles, beds and other products: 2 years (batteries 6 months) and multiposition wheelchairs 3 years. This warranty is limited to the replacement of defective or spare parts.

APPLICATION CONDITIONS

In order to claim this warranty, part "B" of this card has to be given to your official Vermeiren dealer. The warranty is only valid when parts are replaced by Vermeiren in Belgium.

EXCEPTIONS

This warranty is not valid in case of:

- damage due to incorrect usage of the wheelchair,
- damage during transport,
- involvement in an accident,
- a dismount, modification or repair carried outside of our company and/or official Vermeiren dealership,
- normal wear of the wheelchair,
- non-return of the warranty card

DEUTSCH

GARANTIEERKLÄRUNG

Wir garantieren, dass für unsere Rollstühle hochwertige Produkte verwendet werden, die in sorgfältiger Verarbeitung nach dem neuesten Stand der Technik montiert werden. Bevor Ihr Rollstuhl unser Werk verlassen hat, wurde er einer eingehenden Endkontrolle unterzogen, um auch letzte, eventuell vorhandene Mängel aufzuspüren.

Auf Standardrollstühle gewähren wir eine Garantie von 5 Jahren, auf Leichtgewichtrollstühle 4 Jahre, auf elektronische Rollstühle, Dreiräder, Betten und andere Produkte: 2 Jahre (Batterien 6 Monate), auf Multifunktionsrollstühle 3 Jahre.

In dieser Garantie eingeschlossen sind alle Mängel, die auf einen Produkt- oder Verarbeitungsfehler zurückzuführen sind. Dieser Garantie unterliegen keine Schäden aus unsachgemäßer Benutzung. Ebenfalls sind Verschleißteile von der Garantie ausgenommen.

Sollte einmal der Fall eingetreten sein, dass Sie aus berechtigtem Grunde mit Ihrem Rollstuhl unzufrieden sind, so wenden Sie sich bitte unverzüglich an Ihren Fachhändler. Er wird sich in enger Zusammenarbeit mit uns darum bemühen, eine für Sie zufriedenstellende Lösung zu finden.

A

- terugsturen binnen de 8 dagen na aankoop of registreer uw product via onze website, <http://www.vermeiren.be/registration>
- à renvoyer dans les 8 jours après achat ou régisiter votre produit sur notre site, <http://www.vermeiren.be/registration>
- please return within 8 days of date of purchase or register your product at our website, <http://www.vermeiren.be/registration>
- zurückschicken innerhalb von 8 Tagen nach kauf oder registrieren Sie Ihr Produkt auf unserer website, <http://www.vermeiren.be/registration>
- da restituire entro 8 giorni dalla data di acquisto o regisiri il vostro prodotto al nostro web site, <http://www.vermeiren.be/registration>

B

- in geval van herstelling, kaart "B" bijvoegen.
- en cas de réparation, veuillez ajouter la carte "B".
- in case of repair, please add part "B".
- im Falle einer Reparatur, Karte "B" beifügen
- in case di riparazione, riprecedete la carta "B".

N.V. VERMEIREN N.V.
Vermeirenplein 1/15
B-2920 Kalmthout
BELGIUM





SERVICE

The bed was serviced:

Dealer's stamp:

Date:

Dealer's stamp:

Date:

Dealer's stamp:

Date:

Dealer's stamp:

Date:

Dealer's stamp:

Date:

Dealer's stamp:

Date:

Dealer's stamp:

Date:

Dealer's stamp:

Date:

Dealer's stamp:

Date:

Dealer's stamp:

Date:

- For service checklists an additional technical information, please see our specialist dealers nearest to you. More information on our website at: www.vermeiren.com.



Notes

A series of horizontal dotted lines for writing notes.

Belgium

N.V. Vermeiren N.V.

Vermeirenplein 1 / 15
B-2920 Kalmthout
Tel: +32(0)3 620 20 20
Fax: +32(0)3 666 48 94
website: www.vermeiren.be
e-mail: info@vermeiren.be

France

Vermeiren France S.A.

Z. I., 5, Rue d'Ennevelin
F-59710 Avelin
Tel: +33(0)3 28 55 07 98
Fax: +33(0)3 20 90 28 89
website: www.vermeiren.fr
e-mail: info@vermeiren.fr

Italy

Reatime S.R.L.

Viale delle Industrie 5
I-20020 Arese MI
Tel: +39 02 99 77 07
Fax: +39 02 93 58 56 17
website: www.reatime.it
e-mail: info@reatime.it

Poland

Vermeiren Polska Sp. z o.o

ul. Łączna 1
PL-55-100 Trzebnica
Tel: +48(0)71 387 42 00
Fax: +48(0)71 387 05 74
website: www.vermeiren.pl
e-mail: info@vermeiren.pl

Spain

Vermeiren Iberica, S.L.

Trens Petits, 6. - Pol. Ind. Mas Xirgu.
17005 Girona
Tel: +34 902 48 72 72
Fax: +34 972 40 50 54
website: www.vermeiren.es
e-mail: info@vermeiren.es

Germany

Vermeiren Deutschland GmbH

Wahlerstraße 12 a
D-40472 Düsseldorf
Tel: +49(0)211 94 27 90
Fax: +49(0)211 65 36 00
website: www.vermeiren.de
e-mail: info@vermeiren.de

Austria

L. Vermeiren Ges. mbH

Winetzhammerstraße 10
A-4030 Linz
Tel: +43(0)732 37 13 66
Fax: +43(0)732 37 13 69
website: www.vermeiren.at
e-mail: info@vermeiren.at

Switzerland

Vermeiren Suisse S.A.

Hühnerhubelstraße 59
CH-3123 Belp
Tel: +41(0)31 818 40 95
Fax: +41(0)31 818 40 98
website: www.vermeiren.ch
e-mail: info@vermeiren.ch

The Netherlands

Vermeiren Nederland B.V.

Domstraat 50
NL-3864 PR Nijkerkerveen
Tel: +31(0)33 2536424
Fax: +31(0)33 2536517
website: www.vermeiren.com
e-mail: info@vermeiren.be

Czech Republic

Vermeiren ČR S.R.O.

Sezemická 2757/2 - VGP Park
193 00 Praha 9 - Horní Počernice
Tel: +420 731 653 639
Fax: +420 596 121 976
website: www.vermeiren.cz
e-mail: info@vermeiren.cz