

VERMEIREN

Lift

INSTRUCTION MANUAL



“Lift - Electrical seat height adjustment”

Your wheelchair is equipped with a lift system. This option allows you to adjust the seat height in an easy way.

1. Technical Specifications

Description	Dimensions
Seat height range	300 mm
Seat angle range	28°
Maximum user weight	130 kg
Static stability downhill*	10°
Static stability uphill*	10°
Static stability sideways*	10°
Actuator lift column	LA31 and LA28 compact
Operator control	DX2
Storage temperature electronics	-20°C - + 40°C
Usage temperature electronics	+5°C - + 40°C

* with seat and back not more than 10° inclined.

If the actuator is defect contact your specialist dealer.

2. Explanations of symbols

Warning: Do not Pinch hands / fingers



CE conformity

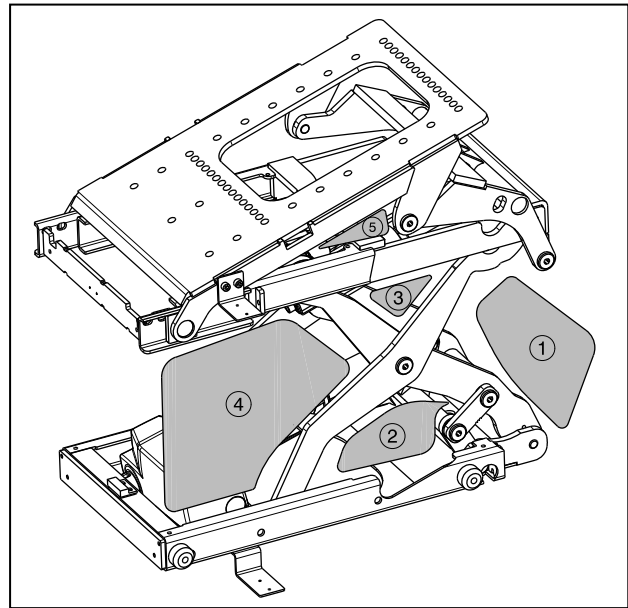
3. Safety rules

- ⚠ **Do not put your fingers between the moving parts of the lift. (See paragraph entrapment zones).**
- ⚠ **All cables should be laid without making contact to the floor and without kinks.**
- ⚠ **Ensure that no cables become squeezed between the lift mechanism.**
- ⚠ **Never take any obstacles, slopes or perform long drive distances when the seat is lifted or inclined more than 10°, since this could cause serious damage, injury and/or risk of stability.**
- ⚠ **Driving with the seat in the mostlifted position, the speed will be reduced to drive program 1. When you want to drive in full speed be sure that the seat is in the lowest position.**
- ⚠ **Check that there are no people or goods close to the lift column adjustment system while using the lift column because these can cause damage or injury.**
- ⚠ **Be sure that the wheelchair does not tip over when the chair is placed in the highest position.**
- ⚠ **Do not transfer the patient when the lift is in the highest position.**

4. Entrapment zones

In the figure below the different entrapment zones (area 1 until 5) of the lift column are indicated.

Make sure that your fingers, jewelry or clothes cannot become pinched in these zones.

**5. Use**

The lift of the wheelchair can be operated with the DX2 operator control.

The seat height of the wheelchair can be adjusted in a similar way as the inclination of the seat or the adjustment of the back. You must only select the lift column function.

For the DX with LCD: Put the Operator control in the menu "Electrical adjustments - seat height lift".

Symbol:



You can adjust the height of the seat by pushing the joystick forwards or pulling it backwards. For the DX with LED: Choose actuator 1 for the back rest, 2 for the seat inclination and 3 for the lift.

If the lift column is placed in the highest position, the driving programs are significantly reduced.

When the lift column is placed back in the lowest position, the driving programs will function normally again.

For more information about the functions of the operator control refer to the manual of the operator control DX2 of your wheelchair.