

VERMEIREN

2202

2215

2217

2219



INSTALLATION MANUAL
MANUEL D'INSTALLATION
INSTALLATIEHANDLEIDING
INSTALLATIONSANLEITUNG
MANUALE DI INSTALLAZIONE
MANUAL DE INSTALACIÓN
INSTRUKCJA INSTALACJI
PŘÍRUČKU PRO INSTALACI





Contents

Preface	2
1 This product	3
2 Scope of delivery	5
3 Tools	5
4 Assembly and adjustments	6
4.1 Torque.....	7
4.2 Adjust the brakes.....	8
4.3 Adjusting the chain.....	8
4.3.1 2202, 2215.....	8
4.3.2 2217, 2219.....	8
4.4 Adjusting the handlebar.....	9
4.5 Tyre changing.....	9

Preface

To support you on the installation and repairs of this tricycle, this manual is offered. Please read it carefully. If you still have questions after reading this manual, do not hesitate to contact Vermeiren.

The information in this manual applies to all tricycles in the following list:

- 2202
- 2215
- 2217
- 2219
- 2217E
- 2219E

Pictures of the product are used to clarify the instructions. Details of the shown product may deviate from your product.

On our website <http://www.vermeiren.com/> you will always find the most recent version of the following information. Please consult this website regularly for possible updates.

Visually impaired people can download the electronic version of this manual and have it read out by means of a text-to-speech software application.



Instruction manual
For user and specialist dealer



Installation instructions (Instructions for detail adjustments)
For specialist dealer



Torque table (maximum torques for bolts and nuts)
For specialist dealer



Service manual for tricycles
For specialist dealer

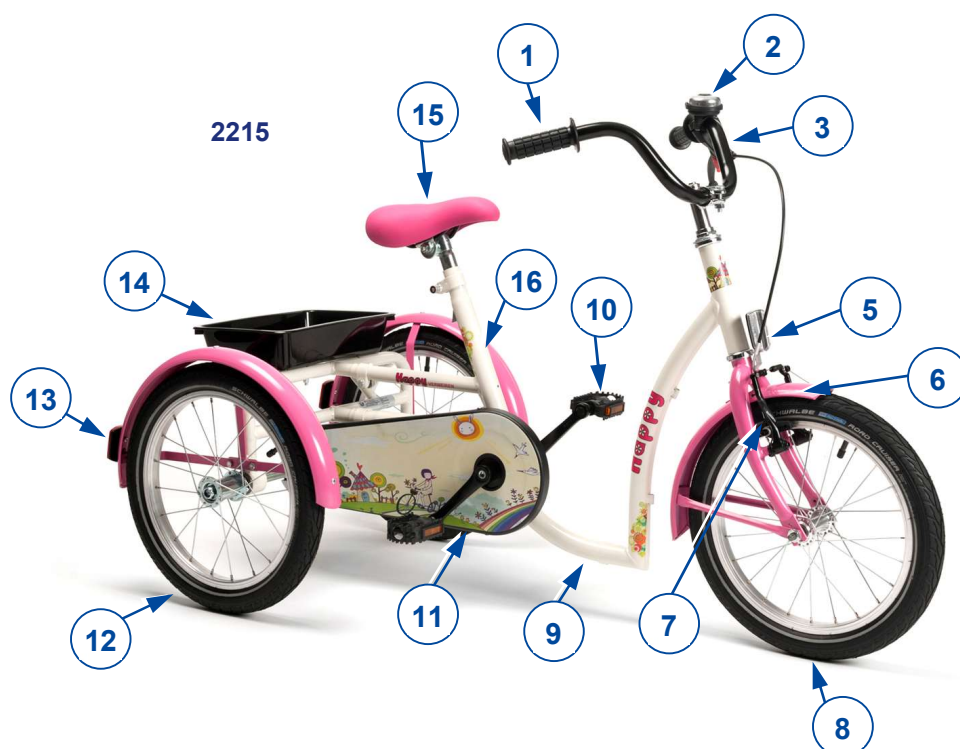


Drawings of (spare) parts
For specialist dealer

1 This product



1. Handgrips
2. Bell
3. Handlebar
4. Brake levers
5. Front reflector
6. Mudguards
7. Front brakes
8. Front wheel
9. Frame
10. Pedals
11. Chain cover
12. Rear wheels
13. Rear reflector
14. Tray
15. Saddle
16. Identification plate





1. Handgrips
2. Bell
3. Handlebar
4. Brake levers
5. Front reflector
6. Mudguards
7. Front brakes
8. Front wheel
9. Frame
10. Pedals
11. Chain cover
12. Rear wheels
13. Rear reflector
14. Tray
15. Saddle
16. Identification plate



2 Scope of delivery

The following items are part of the delivery.

- 1 frame with rear and front wheels
- pedals
- saddle
- handlebar + handgrips
- bell
- basket
- instruction manual
- accessories

3 Tools

To repair and adjust the tricycle, the following tools are needed:

- Wrench set no. 13
- Allen keyset no. 5, 6

4 Assembly and adjustments

**CAUTION**

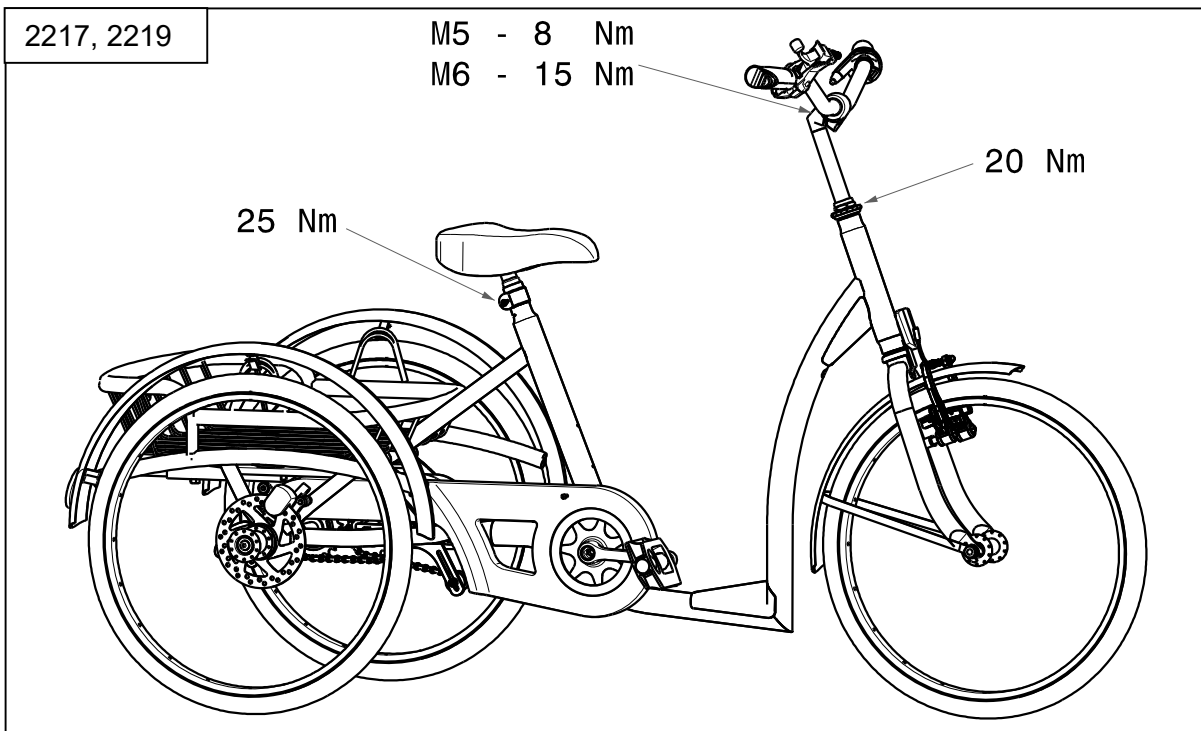
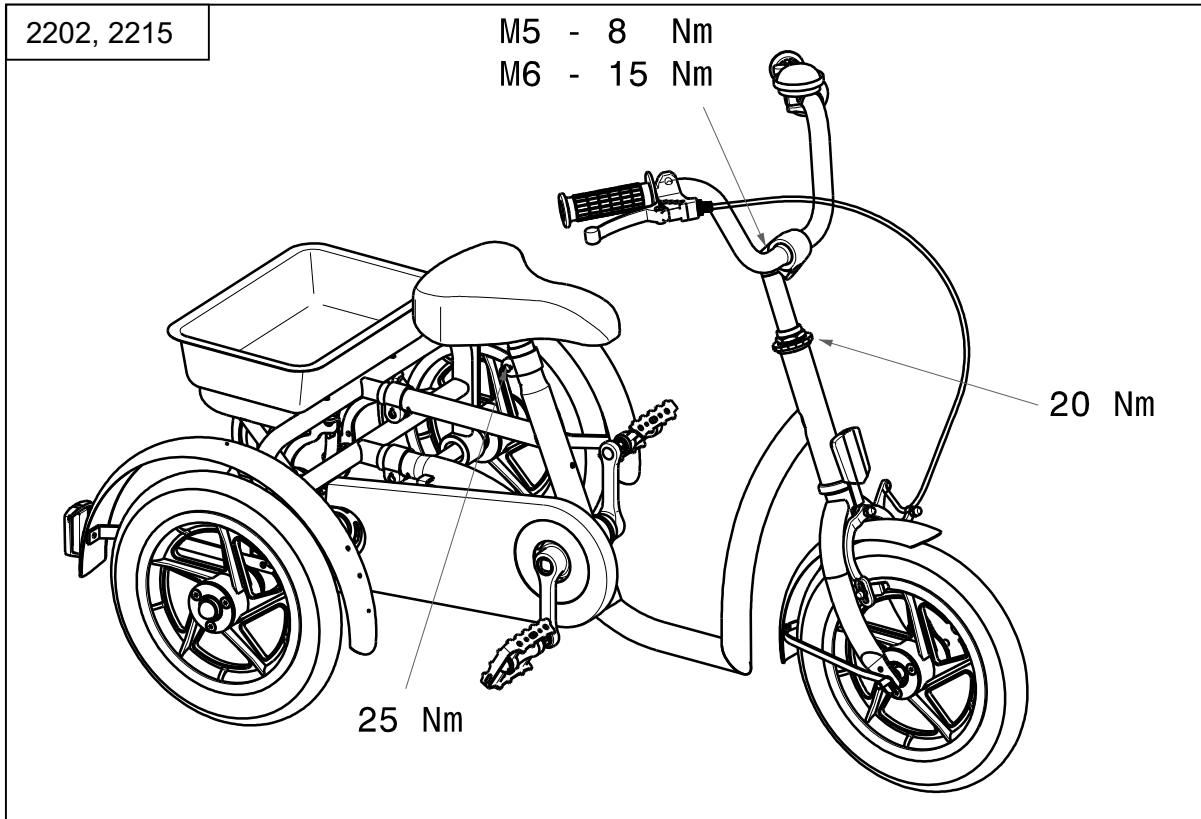
Risk of injuries or damage

- Any modification to the product will lapse the warranty and will cease the responsibility of Vermeiren.
- Only use parts and tools described in this manual.
- Prevent bystanders from accessing the working area.
- While adjusting and operating the tricycle, make sure no objects or body parts get caught between moving parts.
- Only use the settings described in this manual.
- Deviation of the adjustment settings may influence the stability of the tricycle with risk of tilting and falling.
- **Make sure all screws are firmly secured before riding the tricycle. Adhere to the tightening torques for screws according to the Torque table on our website.**

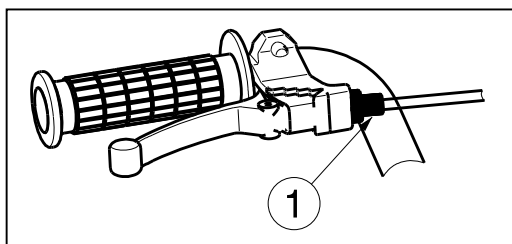
i Important remark

- Read the user manual of this tricycle.
- Be aware of the technical details and limits of intended use; see the user manual.
- For more information, contact Vermeiren. See the website <http://www.vermeiren.com/>.

4.1 Torque



4.2 Adjust the brakes



1. The brake tightness can be adjusted by the brake cable adjuster ①.

4.3 Adjusting the chain

4.3.1 2202, 2215

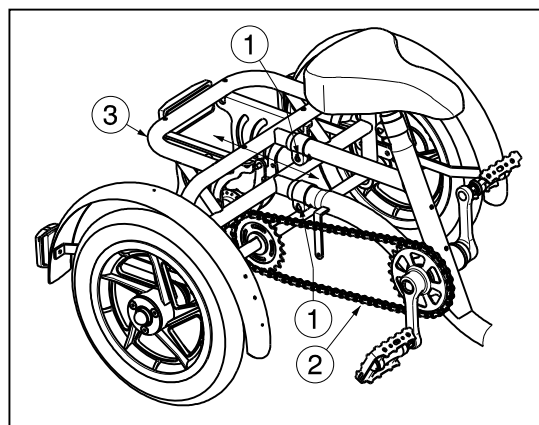
The wheels of the tricycle are driven by a chain ② on the rear axle.

For first time use the chain ② is set in the factory. After a while it is possible that the chain ② runs off the axle, the chain ② has to be tightened by extending the frame of the tricycle:

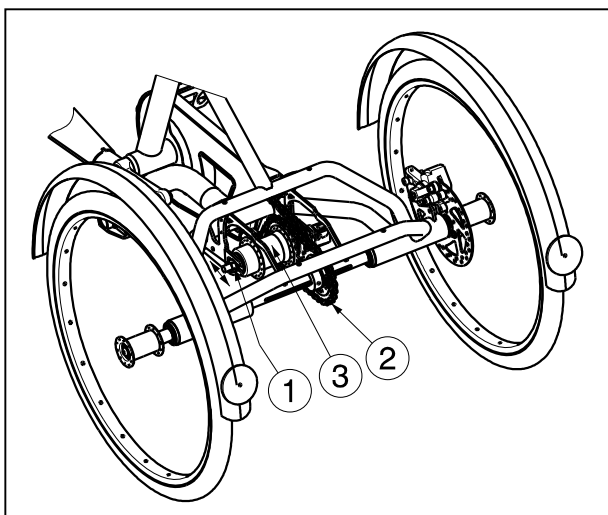
On the frame behind the saddle tube you see two horizontally-mounted length-adjustable tubes.

By unscrewing the clamping screws ① on both tubes, the frame ③ can be extended. When the chain between the two chain-wheels can be moved ± 20 mm, the chain ② tension is correct.

After adjusting the frame length, retighten the clamping screws ①.



4.3.2 2217, 2219



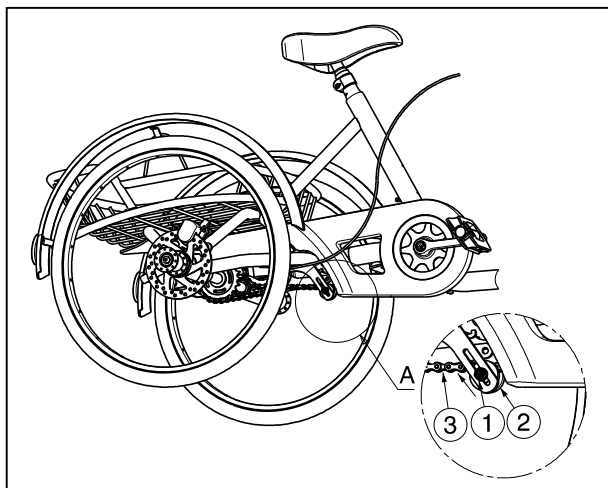
For first time use the chains are set in the factory. After a while it is possible that the chains runs off the axle.

Tightening torpedo chain ②:

Loosen the nut ①. The torpedo system ③ can now be moved on the frame of the tricycle.

When the chain between the two chain-wheels can be moved ± 20 mm, the chain tension is correct.

Retighten the nut ①.



Tightening driving chain ③:

Loosen the nut ①. The wheel ② can now be moved upwards to tighten the chain ③.

When the chain between the two chain-wheels can be moved ± 20 mm, the chain tension is correct.

Retighten the nut ①.

4.4 Adjusting the handlebar

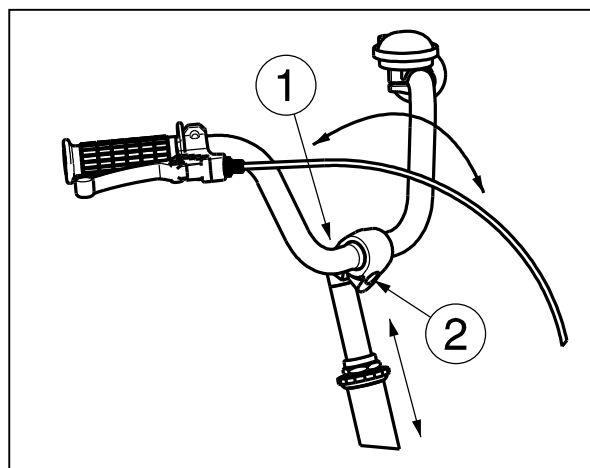
⚠ CAUTION: Risk of injury – Check that the handlebar is firmly secure before using the tricycle.

Adjusting height:

1. Loosen the screw ①.
2. A softly tap on the head of the cone.
3. Adjust the height of the handlebar to a comfortable position (stepless -- depends on handlebar model).
4. Tighten the screw ① properly.

Adjusting angle:

1. Loosen the screw ②.
2. Adjust the angle of the handlebar to a comfortable position (stepless).
3. Tighten the screw ② properly.



4.5 Tyre changing

⚠ CAUTION: There must be no air in the tube before it can be removed.

⚠ CAUTION: Risk of damage - If handled improperly, the rim might be damaged.

If you want to change the tyres or inner tubes, you should note the following:

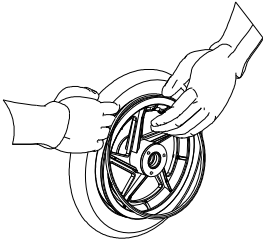
Before you can remove a tyre, you must let all the air out of the tube, and insert a tyre lever between the tyre and the rim. Then slowly and carefully push the lever downwards. This will pull the tyre over the edge of the rim. If you then move the lever along the rim, the tyre will jump out. Now carefully remove the tyre from the rim and then remove the tube.

Note the following before inserting the new tube:

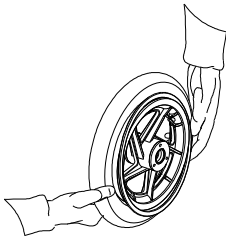
Check the rim bed and the inside wall of the tyre for foreign matter and clean these properly if necessary. Check the condition of the rim bed, especially around the position of the air valve. Please use only genuine original replacement parts. No liability is accepted for damage caused by non-genuine replacement parts. Kindly contact your specialist dealer.

Assembly:

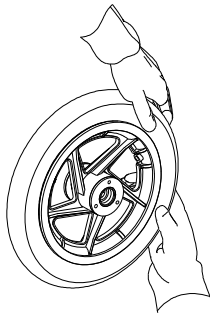
- ⚠ WARNING: Risk of injury - Check that the pressure is correct.**
- ⚠ CAUTION: Risk of injury - Make sure that no objects or body parts are pinched between the tyre and the rim when mounting a tyre.**

2202, 2215

Put the deflated tube around the center of the rim. Make sure that the valve juts out the valve opening in the rim.



Push the tyre over the edge of the rim, starting behind the air valve. Inflate the tube slightly until it is round, and place it inside the tyre.



If the tube fits snugly inside the tyre without any folds (in the case of folds: let out some air), then the upper side of the tyre can be pressed lightly onto the rim with both hands, starting at the air valve.

2217, 2219

Place the rim belt in position over the air valve before inserting it into the rim. Then the rim belt can be pulled over easily. Check that all spoke heads are covered (a rim belt is not required in the case of a plastic rim).



Push the tyre over the edge of the rim, starting behind the air valve. Inflate the tube slightly until it is round, and place it inside the tyre.



If the tube fits snugly inside the tyre without any folds (in the case of folds: let out some air), then the upper side of the tyre can be pressed lightly onto the rim with both hands, starting at the air valve.



Check all around on both sides that the tube is not pinched between the rim and the edge of the tyre. Lightly push the air valve inwards and pull it out again to make sure that the tyre is positioned properly in the region of the air valve.

To ensure that the wheel is inflated correctly, admit only so much air initially that the tyre can still be easily pushed inwards by using your thumbs. If the check-lines are equidistant from the edge of the rim on both sides of the tyre, then the tyre is centered properly. If not - let out the air and position the tyre afresh. Now the tyre can be inflated to its full operating pressure (note the maximum) and the valve cap should be replaced.

Only an expert can guarantee correct assembly. Work not done by your specialist dealer, would void any warranty claims.

When inflating the tyres, always check that the pressure is correct. The correct pressure is given on the tyre walls.

Use only inflating equipment which complies with regulations and indicates the pressure in bar. We do not accept any liability for damage caused by using inflation equipment not supplied by the manufacturer.



Vermeiren GROUP
Vermeirenplein 1 / 15
2920 Kalmthout
BE

website: www.vermeiren.com

Instructions for specialist dealer

This instruction manual is part and parcel of the product and must accompany every product sold.

Version: A, 2023-06

Basic UDI: 5415174 1218062202 4U

5415174 1218062215 55

5415174 1218062217 59

5415174 1218062219 5D

All rights reserved, including translation.