

# User manual

MANUEL D'UTILISATION  
GEBRUIKSAANWIJZING  
GEBRAUCHSANWEISUNG  
MANUALE DI ISTRUZIONI  
MANUAL DE INSTRUCCIONES  
INSTRUKCJA OBSŁUGI  
NÁVOD K OBSLUZE

## Eclips XXL





# Contents

<b>Contents</b> .....	<b>1</b>
<b>Preface</b> .....	<b>2</b>
<b>1 Your product</b> .....	<b>3</b>
<b>2 Before use</b> .....	<b>4</b>
2.1 Intended use .....	4
2.2 General safety instructions.....	4
2.3 Symbols on the wheelchair .....	4
2.4 Transport.....	5
2.5 Folding/Unfolding .....	5
2.6 Storage .....	5
<b>3 Using your wheelchair</b> .....	<b>6</b>
3.1 Mounting or removing of the footrests.....	6
3.2 Operating the brakes.....	6
3.3 Mounting or removing of arm supports.....	7
3.4 Anatomical seat .....	8
3.5 Anatomical back.....	8
3.6 Pushbar.....	8
3.7 Transfer in and out the wheelchair .....	9
3.8 Riding the wheelchair.....	9
<b>4 Installation and adjustment</b> .....	<b>12</b>
4.1 Tools.....	12
4.2 Manner of delivery.....	12
4.3 Adjust the brakes .....	12
4.4 Adjusting the footrests.....	13
<b>5 Maintenance</b> .....	<b>14</b>
5.1 Points of maintenance.....	14
5.2 Maintenance instructions .....	14
5.3 Troubleshooting .....	15
5.4 Expected lifespan.....	15
5.5 Reuse.....	15
5.6 End of use.....	15
<b>6 Technical specifications</b> .....	<b>16</b>

## Preface

Congratulations! You are now owner of a Vermeiren wheelchair!

This wheelchair is made by qualified and committed personnel. It is designed and produced according to high quality standards, guarded by Vermeiren.

Please read this manual carefully; it will help you to get familiar with the operation, capabilities and limitations of your wheelchair.

If you still have questions after reading this manual, do not hesitate to contact your specialist dealer. He/she will be glad to help you.

### Important note

To ensure your safety, and to prolong the lifetime of your product, please take good care of it and have it checked and serviced on a regular basis.

This manual reflects the latest product developments. Vermeiren has the right to implement changes to this type of product without any obligation to adapt or replace similar products previously delivered.

Pictures are used to clarify the instructions in this manual. Details of the depicted product may deviate from your product.

### Information available

On our website <http://www.vermeiren.com/> you will always find the most recent version of the information in this manual. Please consult this website regularly for possible updates.

Visually impaired people can download the electronic version of this manual and have it read out by means of a text-to-speech software application.



User manual

For user and specialist dealer



Installation instructions

For specialist dealer



Service manual for wheelchairs

For specialist dealer



EC declaration of conformity

# 1 Your product



1. Pushbar
2. Handles
3. Lever drum brakes
4. Back
5. Armrests
6. Armpad
7. Driving wheels (rear wheels)
8. Hand rims
9. Brakes
10. Steering wheels (front wheels)
11. Footplate
12. Footrests
13. Seat
14. Double cross
15. Identification plate

## 2 Before use

### 2.1 Intended use

- Indications and contraindications: The user can propel the wheelchair by himself or have the wheelchair pushed by an attendant. The wheelchair is intended for elderly people or people with walking difficulties or no walking abilities, such as paralysis, loss of limbs, limb defects or deformations, stiff or damaged joints, heart insufficiencies and poor blood circulation, balance disturbances, cachexia (decrease in muscle), ... You should NOT use this wheelchair if you suffer from physical or mental impairments that may put you, or other people, in danger when driving the wheelchair. For this reason, consult your doctor first and make sure that your specialist dealer is informed about his advice.
- This wheelchair is suitable for indoor and outdoor use.
- This wheelchair is designed and produced solely to transport/transfer one (1) person with a maximum weight of 250kg. It is not designed for transportation of goods or objects, nor for any use other than previously described.
- Only use accessories and spare parts approved by Vermeiren.
- Please read all technical details and limits of your wheelchair in chapter 5.
- The warranty on this product is based on normal use and maintenance as described in this manual. Damage to your product caused by improper use or lack of maintenance will cause the warranty to lapse.

### 2.2 General safety instructions

 CAUTION Risk of injuries and/or damage

Carefully read and follow the instructions in this manual. Otherwise you may get injured or your wheelchair may get damaged.

Keep the following general warnings in mind during use:

- Do not use your wheelchair if you are under influence of alcohol, medicines or other substances that may influence your riding abilities.
- Be aware that some parts of your wheelchair may get very hot or cold due to ambient temperature, solar radiation or heating devices. Be careful when touching. Wear protective clothing if the weather is cold. When going outdoors, riding gloves can be used to improve the grip on the hand rims.
- Do not modify your wheelchair in any way.

Be aware that your wheelchair may interfere with some types of anti-theft systems, depending on the settings used. This may cause the shop's alarm to go off.

In case a serious incident has occurred involving your product, notify Vermeiren or your specialist dealer as well as the competent authority in your country.

### 2.3 Symbols on the wheelchair



Maximum weight of the user in kg



Indoor/outdoor use



Maximum safe slope in ° (degrees).



Type designation

## 2.4 Transport

### 2.4.1 Transport by vehicle, as luggage

 **WARNING** Risk of injuries



- Do NOT use your wheelchair as a seat in a vehicle, see symbol.
  - Make sure that the wheelchair is attached properly to avoid injury from the passengers during collision or sudden braking.
  - NEVER use the same seatbelt to secure the wheelchair and passenger.
1. Remove footrests, armrests and accessories.
  2. Store footrests, armrests and accessories safely.
  3. If possible, fold the wheelchair and remove the rear wheels.
  4. Place the wheelchair in the luggage compartment.
  5. If the luggage and passenger compartments are NOT separated, attach the frame of the wheelchair securely to the vehicle. You can use the available safety belts in the vehicle.

## 2.5 Folding/Unfolding

 **CAUTION** Risk of injuries

Keep fingers away from moving parts of the wheelchair.

### 2.5.1 Unfolding the wheelchair

1. Position yourself behind the wheelchair.
2. Use the handgrips to open the wheelchair as much as possible.
3. Position yourself at the front of the wheelchair.
4. Push both seating tubes down till they are fixed in their position.
5. Place the seat and backrest cushion in the wheelchair (see §3.4 and §3.5).
6. When the push bar is available, mount the bar to the wheelchair (see §3.6).

### 2.5.2 Folding the wheelchair

1. When the push bar is available, remove the push bar (see §3.6).
2. Fold the footplates or remove the footrests (see §3.1).
3. Remove the seat and backrest cushions (see §3.4 and §3.5).
4. Take the tubes of the seat and move these upwards.
5. Push on the handgrips to fold up the wheelchair further.

## 2.6 Storage

- i** Make sure that your wheelchair is stored in a dry environment to prevent mould from growing and the upholstery from being damaged, see also chapter 6.

### 3 Using your wheelchair



WARNING

Risk of injuries

- First read previous chapters and inform yourself about the intended use. Do NOT use your wheelchair unless you have read and fully understood all instructions.
- In case of doubts or questions, do not hesitate to contact your local specialist dealer, your care provider or technical adviser to help you with this.
- Make sure that your hands, clothes, belts, buckles or jewellery don't get caught by wheels or other moving parts, during use or adjustment.

#### 3.1 Mounting or removing of the footrests



CAUTION

Risk of injuries

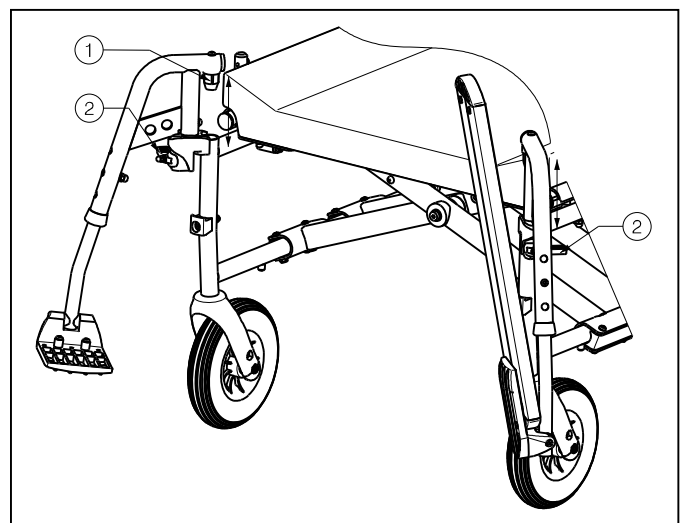
Check that the footrests are firmly mounted before using your wheelchair.

Mounting the footrests is done as follows:

1. Hold the footrest sideways at the outside of the wheelchair frame and mount the tube hood ① into the frame.
2. Swing the footrest inwards till it clicks in position.
3. Turn the footplate downwards.
4. Check that the footplate is firmly mounted.

To take off the footrests:

1. Grasp the footplate.
2. Turn the footplate upwards.
3. Pull handle ②.
4. Swing the footrest to the outside of the wheelchair till it comes loose from the guidance.
5. Pull the footrest from tube hood ①.



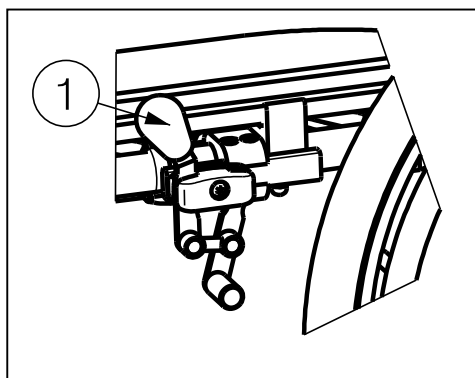
#### 3.2 Operating the brakes



CAUTION

Risk of injuries

- The brakes are not used to slow down the wheelchair during movements. Use the brake only to prevent the wheelchair from unintended movements.
- Good operation of the brakes is influenced by wear and contamination of the tires (water, oil, mud, ...). Check the condition of the tires before each use.
- The brakes are adjustable and can wear. Check the operation of the brakes before each use.
- Make sure the wheelchair is on a flat horizontal surface before releasing the brakes. Never release both brakes simultaneously.



To apply the brakes:

1. Push the brake handles ① forward till you feel a distinctive click.

To release the brakes:

1. Release one brake by pulling the handle ① backwards.
2. Hold the hand-rim of the released wheel with your hand.
3. Release the second brake by pulling the handle backwards.



### 3.3 Mounting or removing of arm supports



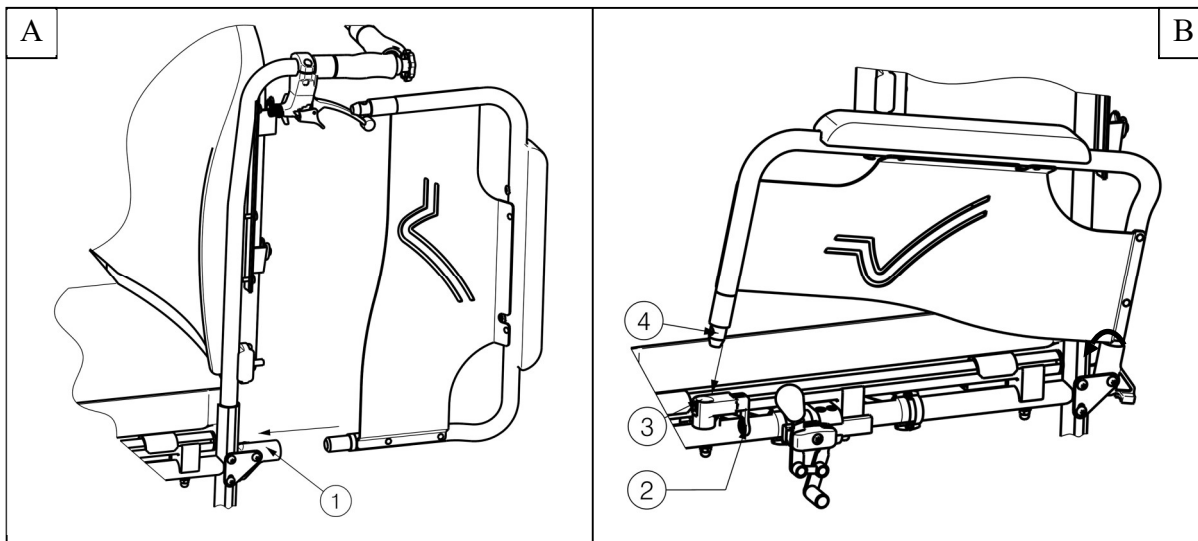
CAUTION

Risk of injuries

- Keep fingers, buckles and clothes away from the bottom side of the arm support.
- Check that the arm supports are firmly mounted before using your wheelchair.

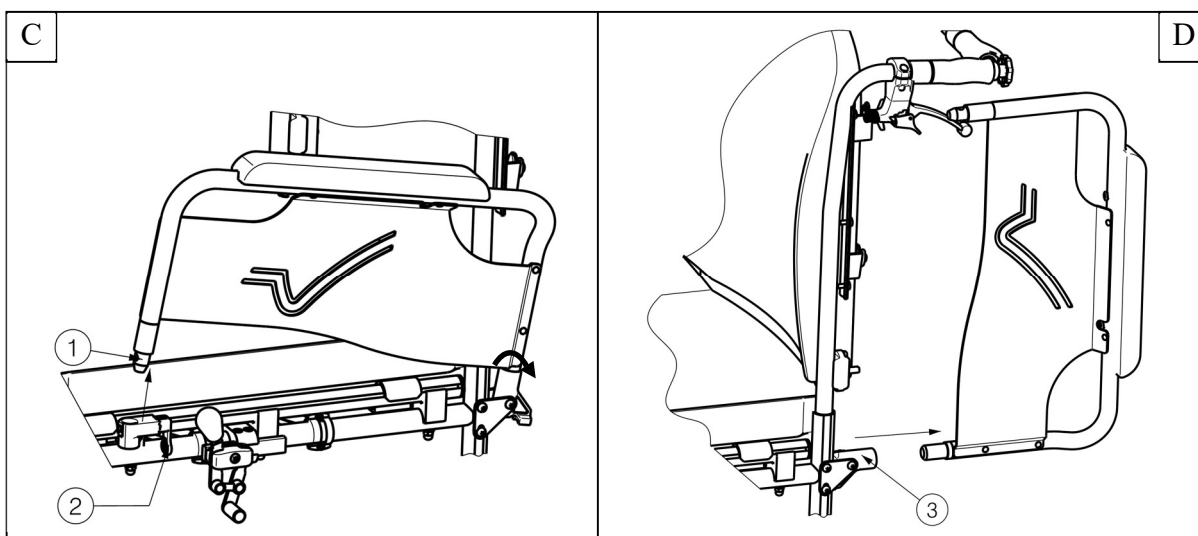
The arm supports of the wheelchair can be mounted by following instructions.

1. Mount the rear tube of the arm supports in tube hood ①. (Fig A)
2. Make sure the arm support is mounted very well.
3. Fold the arm support forward.
4. Pull the lever ② on tube hood ③ upwards. (Fig B)
5. Click the front tube of the arm support ④ in tube hood ③. (Fig B)



To open and remove the arm support:

1. Pull lever ② and pull the front of the arm support ① upwards. (Fig C)
2. Fold the arm support backwards.
3. To remove the arm support, pull the rear of the arm support from tube hood ③. (Fig D)



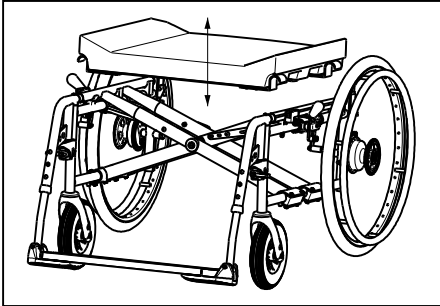
### 3.4 Anatomical seat



CAUTION

Risk of injuries

- Check that the seat is firmly secured before use. Check that the screws are not damaged.
- Avoid getting your fingers caught during the assembly process (between seat and cross-hinge).



Your wheelchair has an anatomical padded seat, place it on the tubular cross-hinge so that the seat's supports engage equally with the cross-hinge. In the wooden base you will find slots that are placed in the hinge's cross-pieces. To fold up the wheelchair, remove the seat by pulling it upwards.

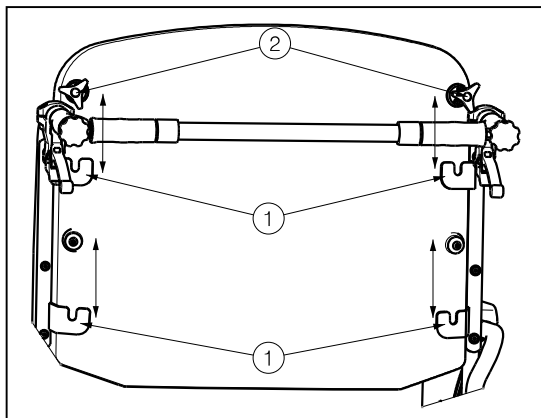
### 3.5 Anatomical back



CAUTION

Risk of injuries

- Check that the backrest is firmly mounted into the four brackets before using your wheelchair.
- Avoid getting your fingers, clothes caught during the assembly process.



The backrest of the wheelchair can be mounted by following instructions.

1. Mount the backrest into the four brackets ①.
2. Turn on the upper star buttons ② to lock the star buttons by hand.
3. Check that the backrest is firmly fixated.

To remove the backrest of the wheelchair:

1. Loosen the upper star buttons ②.
2. Pull the backrest upwards out the four brackets ①.

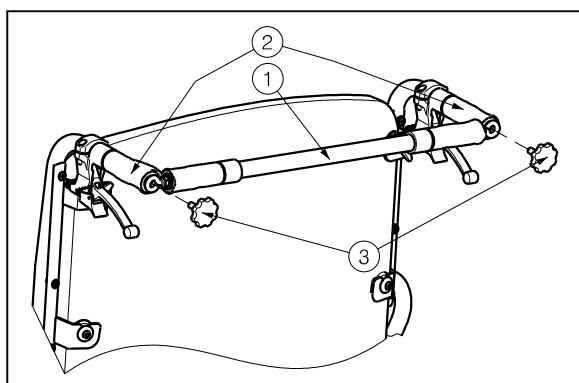
### 3.6 Pushbar



CAUTION

Risk of injuries

- Make sure that all screws are properly tightened with the appropriate tool.
- When equipped with the push bar, the push bar shall always be mounted (→ to increase the stability of the back).



The push bar will be delivered for some seat widths. The push bar increases the stability of the back and offers the possibility for an attendant to push the wheelchair. To do this, use the pre-mounted handles.

As there are different push bars for different seat widths, take care that no tension is created between the push handles of the back tubes.

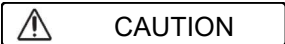
The mounting of the push bar is done as follows:

1. Secure the push bar ① by fastening the left side to the end of handle ② with the Philips screw ③ in the applicable sunk threads.
2. Gently screw the Philips screw ③ into the thread of the handle ②.
3. Swing the push bar to the right.
4. Gently screw the Philips screw ③ into the thread of the right handle ②.

To take off the push bar:

1. Loosen the Philips screw ③ on the right and/or left handgrip.
2. Remove the push bar from the right and/or left handgrip.

### 3.7 Transfer in and out the wheelchair

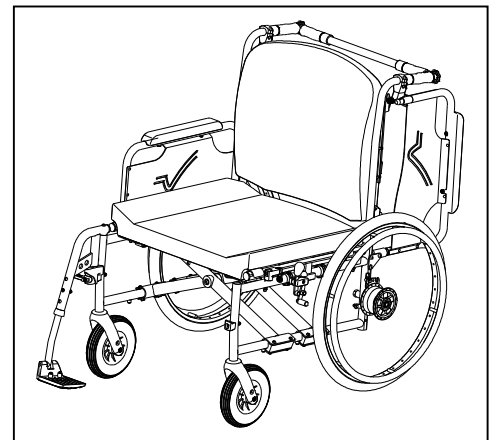


CAUTION

Risk of injuries

- In case you cannot perform the transfer in a safe manner, ask someone to assist you.
- Do not stand on the footplate.

1. Position the wheelchair as close as possible to the chair, couch or bed to/from you wish to transfer.
2. Check both brakes from the wheelchair are in the on position.
3. Fold the footplate upwards to prevent standing on them or remove the footrest on that side (see § 3.1)
4. If the transfer is on the side of the wheelchair, fold the arm support on that side upwards. (see § 3.3)
5. Transfer to/from the wheelchair.

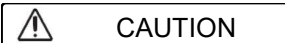


#### 3.7.1 Correct position in the wheelchair

Some recommendations for a comfortable use of the wheelchair:

- Position your backside as close as possible to the back rest.
- Make sure your upper legs are horizontal – If needed adjust the length of the footrests. (see § 4.4.1)

### 3.8 Riding the wheelchair



CAUTION

Risk of injuries and damage


- Before every usage, make sure that:
  - parking brakes are working properly.
  - tires are in good condition, see §5.
- Prevent your fingers from being caught by the wheel spokes.
- Do not operate the hand rims with wet hands.
- Prevent entrapment of your hands on the hand rims when you pass small passages.
- Do NOT drive on slopes, obstacles, steps or kerbs larger than specified in §6.
- When you stop on a (small) slope, use your brakes.
- Make sure all four wheels touch the ground while riding up or down a slope.
- Take slopes as slow as possible.
- Always stay on the pavement when riding on public roads.
- Pay attention if the road has holes or gaps that may cause entrapment of the wheels.
- Avoid stones and other objects that may block the wheels.
- Make sure that the footplates do not touch ground while taking an obstacle.
- Do not use your wheelchair on an escalator.
- If available, wear your safety belt.

- Always keep the swing range of the footplate in mind to prevent bystanders from being injured or objects from being damaged.
- If you don't have enough experience riding your wheelchair, ask assistance of an attendant. Keep your arms away from the wheels and keep your feet on the footplate.
- Stairs should always be negotiated with the help of two attendants.
- Never try to use stairs that are not appropriate for wheelchairs.

### 3.8.1 Riding your wheelchair:

1. Release the brakes.
2. Take both hand rims at their highest position.
3. Lean forward and push the hand rims forward until your arms are straight.
4. Move your hands back to the top of the hand rims and repeat the movement.

### 3.8.2 Moving on slopes


 **WARNING** Risk of injuries

- Moving on slopes as slow as possible.
- If your attendant does not have enough force to control the wheelchair, put on the brakes.
- Lean forward to move your centre of gravity forward. To improve a better stability.



1. If available on the wheelchair, wear the safety belt.
2. Do not attempt moving on too high slopes. The maximum slope angles (upwards and downwards) are mentioned in table 1.
3. Ask an attendant to help you moving on the slope.
4. Lean forward to move your centre of gravity forward.

### 3.8.3 Negotiating steps or kerbs

 **WARNING** Risk of injuries

- If you do not have enough experience with your wheelchair, ask assistance of an attendant.

#### **Getting down steps or kerbs**

Riding down low kerbs can be done moving forwards. Make sure that the foot bracket does not touch the ground.



A practiced user can negotiate small steps or kerbs by himself:

1. Bring balance on the rear wheels to reduce the pressure on the front wheels.
2. Negotiate the kerbs.

Higher kerbs can be taken forward with an attendant:

1. Ask the attendant to tip the wheelchair slightly backwards.
2. Get past the kerbs while moving on the rear wheels.
3. Put the wheelchair back on the four wheels.

An experienced user can negotiate higher kerbs by himself. This is best done backwards.



1. Turn the wheelchair to have the rear wheels facing the kerb.
2. Lean forward to move your centre of gravity forward.
3. Move the wheelchair close to the kerbs.
4. Use the hand rim to roll-off wheelchair from the kerb in a controlled manner.

### **Moving up steps or kerbs**

Moving up steps or kerbs with attendant as follows:

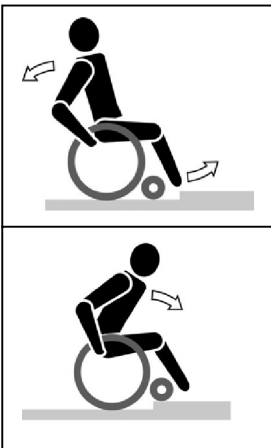


1. Prevent the foot bracket from touching the kerb.
2. Ask the attendant to tip the wheelchair backwards, just enough to move the front wheels over the kerb.
3. Lean backwards to move your centre of gravity above the rear wheel.
4. Place the front wheels on the kerb.
5. Roll rear wheels of the wheelchair over the kerb.

Higher kerbs are negotiated backwards:


1. Turn the wheelchair to have the rear wheels facing the kerb.
2. Lean backwards and move your centre of gravity above the rear wheels.
3. Ask the attendant to pull the wheelchair on the kerb.
4. Take back the normal position in the wheelchair.

An experienced user can negotiate kerbs by himself:



1. Drive until the kerbs.
2. Ensure that the foot bracket do not touch the kerbs.
3. Lean backwards so you are balancing on the rear wheels.
4. Role the front wheels balancing over the kerbs.
5. Bend forwards for more stability.
6. Role the rear wheels over the kerbs.

### **3.8.4 Taking stairs**

 **WARNING** Risk of injuries

- Stairs should always be taken with the help of two attendants.

Taking of stairs while you staying in the wheelchair shall be according following rules:

1. One attendant tip the wheelchair slightly backwards.
2. The second attendant take the front of the frame.
3. Stay calm, avoid sudden movements and keep your arms inside the wheelchair.
4. Take the steps on the rear wheels of the wheelchair.

## 4 Installation and adjustment

The instructions in this chapter are for the specialist dealer.

The Vermeiren Eclips XXL has been designed entirely for your comfort. This wheelchair can be adjusted to individual requirements as explained below.

To find a service facility or specialist dealer near you, contact the nearest Vermeiren facility.



WARNING

Risk of injuries and damage

- Use only the settings described in this manual.
- Variation of allowed adjustments can still change the stability of your wheelchair (tilt back or sideways).

### 4.1 Tools

To set up the wheelchair the following tools are needed.

- Wrench set n° 10 to n° 19
- Allen key set n° 4 to n° 5
- Screwdriver Phillips head

### 4.2 Manner of delivery

The Vermeiren Eclips XXL shall be delivered with:

- 1 frame with arm supports, rear and front wheels
- 1 pair footrests
- Anatomical seat (fixed)
- Anatomical back (fixed)
- Tools
- Manual
- Accessories

### 4.3 Adjust the brakes



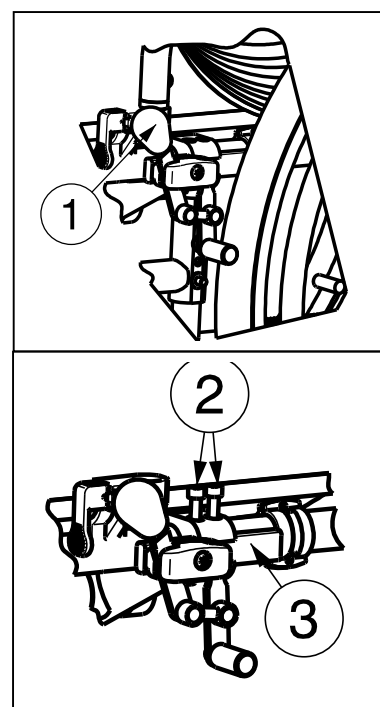
WARNING

Risk of injury

Brakes may only be adjusted by your specialist dealer.

Adjust the brakes according following rules:

1. Disconnect the brakes by pulling lever ① backwards.
2. Loosen the bolts ② so the brake mechanism can slide over the guide ③.
3. Pull the brake mechanism over the guide ③ to the desired position.
4. Retighten the bolts ②.
5. Check working of the brakes.
6. If necessary repeat the above steps until the brakes are adjusted well.



## 4.4 Adjusting the footrests

### 4.4.1 Length of the footrests

 CAUTION Risk of damage

Avoid that the footrests make any contact with the ground. Keep a minimum distance from 60 mm above the ground.

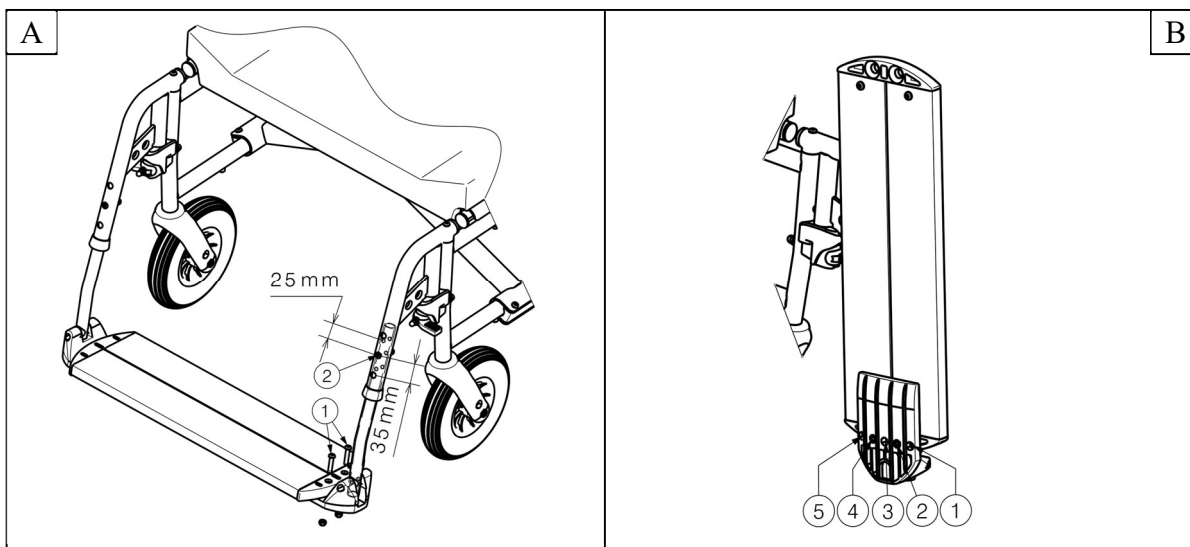
Adjust the length of the footrests as follow (in eight different positions): (Fig A)

1. Remove the screw ②.
2. Adjust the length of the footrest to a comfortable length.
3. Tighten the screw ② properly.

### 4.4.2 Depth of the footplate

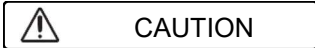
Adjust the depth of the footplate as follow (in three different positions):

1. Remove the screws ①. (Fig A)
2. Adjust the depth of the footrest to a comfortable position (Fig B).
  - Position 1: hole 1 and 3
  - Position 2: hole 2 and 4
  - Position 3: hole 3 and 5
3. Tighten the screws properly ①. (Fig A)



## 5 Maintenance

### 5.1 Points of maintenance



Risk of injuries and damage

Repairs and replacements may only be undertaken by trained persons and only genuine replacement parts of Vermeiren should be used.

**i** The service frequency depends on the frequency and intensity of use. Contact your dealer to agree to a common timetable for inspection/maintenance/repair.

For the maintenance manual, refer to the Vermeiren website: [www.vermeiren.com](http://www.vermeiren.com).

#### *Before each use*

Inspect the following points:

- All parts: Present and undamaged or unworn.
- All parts: Clean, see § 5.2.2.
- Wheels, backrest, seat, calf rests, arm rests, footplates: Well secured.
- Condition of wheels/tyres, see § 5.2.1;
- Condition of frame parts: No deformation, instability, weakness or loose connections
- Seat, backrest, arm pads, calf pads and head rest (if applied): No excessive wear (like dented spots, damage or tears).
- Brakes: Undamaged and functioning.

Contact your specialist dealer for possible repairs or part replacements.

#### *Yearly or more often*

Have your wheelchair inspected and serviced by your specialist dealer, at least once a year, or more often. The minimum maintenance frequency depends on use and should therefore be commonly agreed upon with your specialist dealer.

## 5.2 Maintenance instructions

### 5.2.1 Wheels and tyres

**i** Proper working of the brakes depends on the state of the tyres, and can change due to wear and contamination (water, oil, mud, ...).

Keep your wheels free of wires, hair, sand and fibres.

Check the profile of the tyres. If the tread depth is less than 1 mm, the tyres need to be replaced.

Contact your specialist dealer for this matter.

Inflate each pneumatic tyre to the correct pressure (see pressure indication on the tyres).

### 5.2.2 Cleaning



Risk of damage by moisture

Never use a hose or high-pressure cleaner to clean the wheelchair.

Wipe all rigid parts of the wheelchair with a damp cloth (not drenched). If necessary, use a mild soap, suitable for varnishes and synthetics.

The upholstery can be cleaned with lukewarm water and a mild soap. Do not use abrasive cleaning agents to clean.



### 5.2.3 Disinfection

CAUTION

Risk of damage

Disinfections may only be undertaken by trained persons. Consult your specialist dealer.

## 5.3 Troubleshooting

Even if you use your wheelchair properly, a technical problem may occur. In this case, contact your local specialist dealer.



WARNING

Risk of injuries and damage to the wheelchair

NEVER repair your wheelchair yourself attempting to solve the problem.

The following symptoms may indicate a serious problem. Therefore always contact your specialist dealer if you spot any of the following deviations:

- Strange sound;
- Uneven tread wear on one of the tyres;
- Jerky movements;
- Wheelchair deflects to one side;
- Damaged or broken wheel assemblies.

## 5.4 Expected lifespan

The average lifespan of your wheelchair is 5 years. Depending on the frequency of use, driving circumstances and maintenance, the lifespan of your wheelchair will increase or decrease.

## 5.5 Reuse

Before each reuse, have the wheelchair disinfected, inspected and serviced according to the instructions in §5.1 and §5.2.

## 5.6 End of use

At end of life, you need to dispose your wheelchair according to the local environmental legislation. The best way to do so, is to disassemble the wheelchair to facilitate the transport of recyclable parts.

## 6 Technical specifications

Technical terms below are valid for the wheelchair in standard settings. If other footrests / arm supports or other accessories are used, the tabulated values will change.

<b>Make</b>	<b>Vermeiren</b>
<b>Type</b>	<b>Manual wheelchair</b>
<b>Model</b>	<b>Eclips XXL</b>
<b>Maximum occupant mass</b>	<b>250 kg</b>

<b>Description</b>	<b>Dimensions</b>			
Effective seat width	600 mm	650 mm	700 mm	750 mm
Overall width (depends on the seat width)	850 mm	900 mm	950 mm	1000 mm
Effective seat depth	530 mm	540 mm	550 mm	560 mm
<b>Description</b>	<b>Dimensions Min.</b>		<b>Dimensions Max.</b>	
Overall length with footrests	1140 mm			
Folded length without footrests	865 mm			
Folded width	375 mm			
Total height	1030 mm			
Folded height (without backrest)	945 mm			
Total mass	± 38,5 kg	± 39 kg	± 40 kg	± 40,5 kg
Mass of heaviest part	± 20,25 kg			
Masses of parts that can be dismantled or removed	<b>Foot supports:</b> 2,40 kg; <b>Arm supports:</b> 1,95 kg; <b>Back cushion:</b> 4,25 kg - 5 kg; <b>Seat cushion:</b> 6,95 kg - 7,5 kg			
Static stability downhill	7,5° (in standard configuration)			
Static stability uphill	5° (in standard configuration)			
Static stability sideways	>16° (in standard configuration)			
Obstacle climbing	60 mm			
Seat plane angle	5°			
Seat surface height at front edge	530 mm			
Backrest angle	5°			
Backrest height	570 mm			
Distance between footrest and seat	415 mm		510 mm	
Angle between seat and footrest	107°			
Distance between armrest and seat	200 mm			
Front location of armrest structure	405 mm			
Handrim diameter	465 mm			
Horizontal location of axle (deflection)	18 mm			
Minimum turning radius	1743 mm			
Diameter Krypton PU Rear wheels	22"			
Tyre pressure, rear (driving) wheels	Max. 3.5 bar			
Diameter Krypton PU steering wheels	200 mm			
Tyre pressure, steering wheels	Max. 2.5 bar			



Storage and use temperature	+ 5 °C	+ 41 °C
Storage and use humidity	30%	70%
<b>We reserve the right to introduce technical changes. Measurement tolerance ± 15 mm / 1,5 kg / °</b>		

*Table 1: Technical specifications Eclips XXL*









## Service registration form

This product (name): .....

was inspected (I), serviced (S), repaired (R) or disinfected (D):

By (stamp):  Kind of work: I / S / R / D Date:	By (stamp):  Kind of work: I / S / R / D Date:	By (stamp):  Kind of work: I / S / R / D Date:
By (stamp):  Kind of work: I / S / R / D Date:	By (stamp):  Kind of work: I / S / R / D Date:	By (stamp):  Kind of work: I / S / R / D Date:
By (stamp):  Kind of work: I / S / R / D Date:	By (stamp):  Kind of work: I / S / R / D Date:	By (stamp):  Kind of work: I / S / R / D Date:
By (stamp):  Kind of work: I / S / R / D Date:	By (stamp):  Kind of work: I / S / R / D Date:	By (stamp):  Kind of work: I / S / R / D Date:
By (stamp):  Kind of work: I / S / R / D Date:	By (stamp):  Kind of work: I / S / R / D Date:	By (stamp):  Kind of work: I / S / R / D Date:



Vermeiren GROUP  
Vermeirenplein 1 / 15  
2920 Kalmthout  
BE

website: [www.vermeiren.com](http://www.vermeiren.com)

### **Instructions for specialist dealer**

This instruction manual is part and parcel of the product and must accompany every product sold.

Version: D, 2023-01

Basic UDI: 5415174 122106EclipsXXLGZ

**All rights reserved, including translation.**