

# VERMEIREN

## HEM1

INSTRUCTION MANUAL





# Option:

## “HEM1: Hemiplegic system”

For some wheelchairs there is the possibility to have a hemiplegic system.

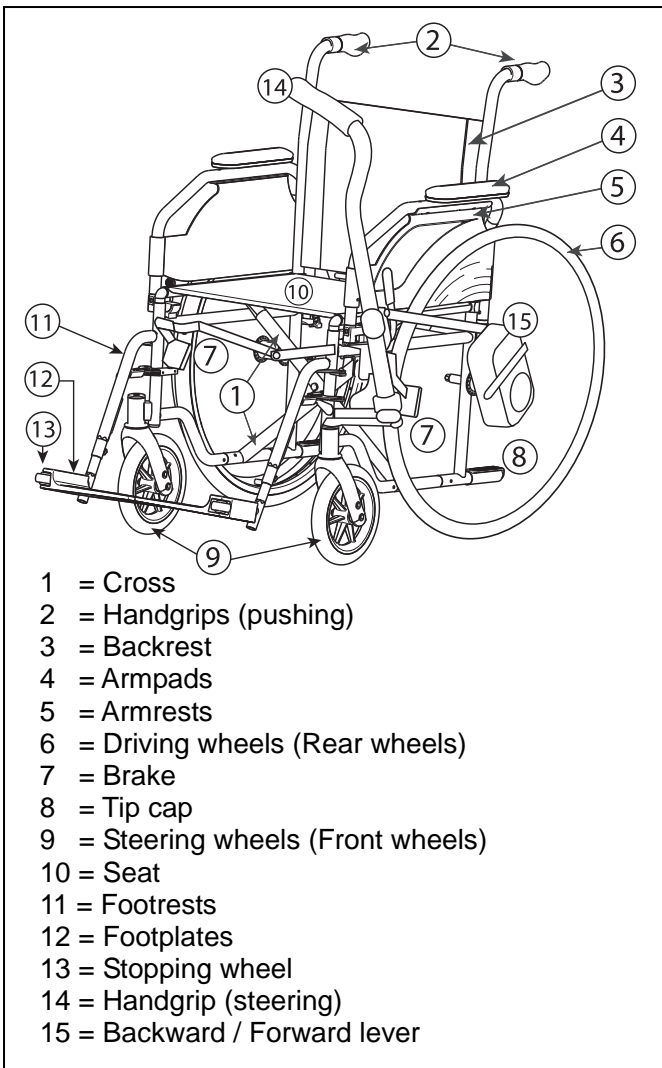
The option can be helpful for people that have paralysis on one side or broken arm on one side.

For the instructions of the wheelchair refer to the instruction manual of the wheelchair.

### 1. Technical Specifications

Description	Dimensions
Weight HEM1 system	+7 kg (additional weight to standard wheelchair)
Total height handgrip to ground	850 mm
Distance handgrip - backrest	210 mm - 590 mm
Total width	+40 mm (additional width to standard wheelchair)

### 2. Components



### 3. Safety rules

- ⚠ Keep fingers away from moving parts of the wheelchair (hemiplegic brake system, rolling rear wheels, wheel spokes, ...).
- ⚠ Be aware that the width of your wheelchair shall be increase with 40 mm.
- ⚠ Your wheelchair is also crash tested with the hemiplegic (HEM1) system.

### 4. Manner of delivery

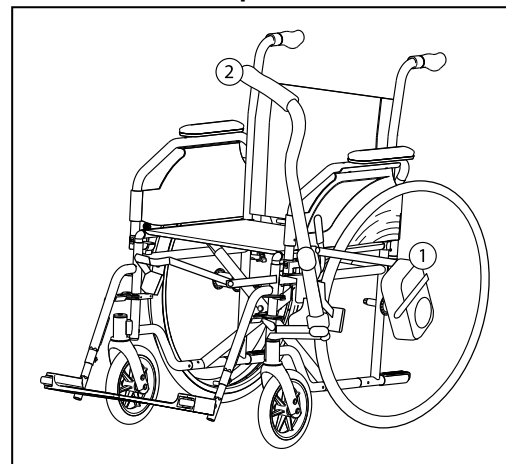
The hemiplegic (HEM1) system shall be delivered with:

- Rear wheel (one handrim)
- Hemiplegic rear wheel (no handrim)
- Drive system (handgrip, propulsion system)
- Hemiplegic brake system
- Instruction manual

Before use check if everything is included and that no products are damaged (example by transport, ...).

### 5. Riding the wheelchair

- ⚠ **WARNING: Risk of clamping – Be careful passing through restricted passages (e.g. doors).**
- ⚠ **WARNING: Risk of burns – Be careful when driving in hot or cold environments (sunshine, extreme cold, saunas, etc.) for a sufficient amount of time and when touching - Surfaces can assume the environment temperatures.**



#### Riding by yourself:

1. Release the brakes.
2. Place the backward / forward lever ① in the desired direction (place "completely" to the front, wheelchair move forwards, place "completely" to the back, wheelchair move backwards).
3. Take the steering handgrip ② to drive with your wheelchair. If the backward / forward lever ① is not completely placed in the desired direction, the wheelchair move not when pushing / pulling on the steering handgrip ②.
4. Move the steering handgrip ② alternately forward and backward to ride in a straight direction with the wheelchair.

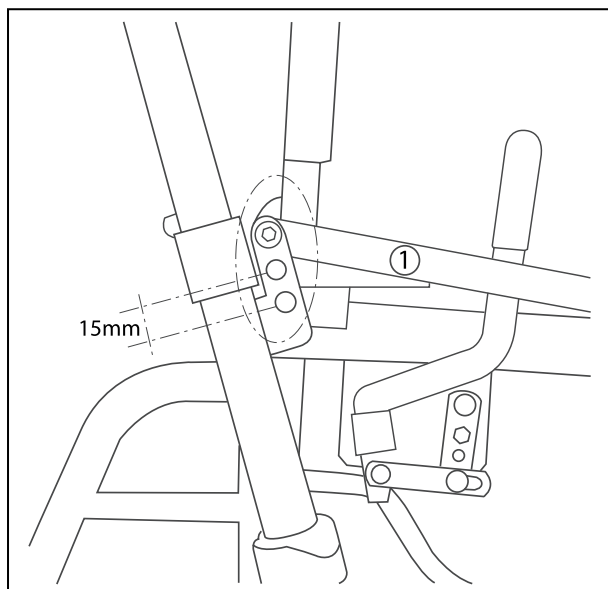
5. Turn the steering handgrip ② to the left or right, to steer the front wheels and turn the wheelchair in the good direction.
6. Pull the steering handgrip ② completely backwards to stop the wheelchair. Now the driving rod is blocked, to loosen these place the backward / forward lever ① in the middle position.

#### Pushing by an attendant:

You can have the wheelchair pushed by an attendant by placing the backward / forward lever ① in the central position. The wheelchair does not move anymore with the steering handgrip ②. The steering/turning to the left or right shall be done by the occupant with the steering handgrip ②.

#### **6. Adjusting driving rod**

The driving rod ① is adjustable (3 positions: range 15 mm) to increase or decrease the pushing/pulling force of the steering handgrip.

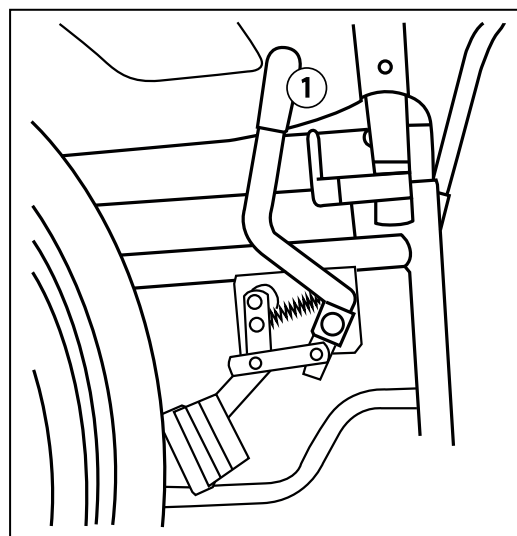


#### **7. Mounting / removing the rear wheels**

For the wheelchair with HEM1 system it is not possible to remove the rear wheels.

#### **8. Operating the brakes**

- ⚠ **WARNING:** The brakes are not used to slow down the wheelchair during movements – Use the brake only to prevent the wheelchair from unintended movements.
- ⚠ **WARNING:** Good operation of the brakes is influenced by wear and contamination of the tires (water, oil, mud, ...) – Check the condition of the tires before each use.
- ⚠ **WARNING:** The brakes are adjustable and can wear – Check the operation of the brakes before each use.



#### To apply the brakes:

1. Push the lever ① of the brake on the side of the propulsion system forward (healthy arm). The other brake applies also.

**⚠ CAUTION: Risk of unintended movement – Make sure the wheelchair is on a flat horizontal surface before releasing the brakes.**

#### To release the brakes:

1. Release the lever ① on the side of the propulsion system backwards. The other brake release also.

#### **9. Maintenance**

Check HEM1 braking system.

Check HEM1 driving system is working well and every 8 weeks lubricating of bearings, moving parts.

**N.V. VERMEIREN N.V.**  
**BELGIUM**

Vermeirenplein 1-15  
B-2920 Kalmthout  
Tel.: +32 (0)3 620 20 20  
Fax: +32 (0)3 666 48 94  
e-mail: [info@vermeiren.be](mailto:info@vermeiren.be)  
website: [www.vermeiren.com](http://www.vermeiren.com)

