

User manual

MANUEL D'UTILISATION
GEBRUIKSAANWIJZING
GEBRAUCHSANWEISUNG
MANUALE DI ISTRUZIONI
MANUAL DE INSTRUCCIONES
INSTRUKCJA OBSŁUGI
NÁVOD K OBSLUZE

Eclips X2 Kids **Eclips X2 30° Kids**



Contents

Contents	1
Preface	2
1 Your product	3
2 Before use	4
2.1 Intended use	4
2.2 General safety instructions	4
2.3 Symbols on the wheelchair	4
2.4 Transport in a vehicle.....	5
2.5 Folding/Unfolding the backrest (Eclips X2 Kids)	5
2.6 Folding/Unfolding the wheelchair.....	5
2.7 Mounting or removing the arm support	6
2.8 Mounting/Taking off the rear wheels (if available)	6
2.9 Storage	6
3 Using your wheelchair	7
3.1 Parking brakes	7
3.2 Footplates and footrests	7
3.3 Backrest inclination (Eclips X2 30° Kids)	8
3.4 Mounting or removing the push bar (Eclips X2 30° Kids).....	8
3.5 Moving to/from the wheelchair	9
3.6 Riding.....	9
4 Installation and adjustment	13
4.1 Tools	13
4.2 Scope of delivery	13
4.3 Assembly and disassembly.....	13
4.4 Adjusting the wheelchair to the user	14
4.5 Changing pneumatic tyres (if applicable).....	14
5 Maintenance	16
5.1 Maintenance instructions	16
5.2 Troubleshooting	17
5.3 Expected lifespan.....	17
5.4 Reuse	17
5.5 End of use.....	17
6 Technical specifications	18

Preface

Congratulations! You are now owner of a Vermeiren wheelchair!

This wheelchair is made by qualified and committed personnel. It is designed and produced according to high quality standards guarded by Vermeiren.

Thanks for your trust in the products of Vermeiren. To support you on the use of this wheelchair and its operating options, this manual is offered. Please read it carefully; it will help you to get familiar with the operation, capabilities and limitations of your wheelchair.

If you still have questions after reading this manual, do not hesitate to contact your specialist dealer. He/she will be glad to help you on this subject.

Important note

To ensure your safety, and to prolong the lifetime of your product, please take good care of it and have it checked and serviced on a regular basis.

This manual reflects the latest product developments. Vermeiren has the right to implement changes to this type of product without being imposed to any obligation to adapt or replace similar products previously delivered.

Pictures are used to clarify the instructions in this manual. Details of the depicted product may deviate from your product.

Information available

On our website <http://www.vermeiren.com/> you will always find the most recent version of following information. Please consult this website regularly for possible updates.

Visually impaired people can download the electronic version of this manual and have it read out by means of a text-to-speech software application.



- User manual
For user and specialist dealer



- Installation instructions
For specialist dealer



- Service manual for wheelchairs
For specialist dealer



- EC declaration of conformity

1 Your product

These Eclips X2 Kids and Eclips X2 30° Kids wheelchairs are easy to operate and can be used indoors as well as outdoors. They are foldable which makes them very compact to store.

i Before using your wheelchair, check the technical details and limits of intended use, see chapter 6.



1. Backrest
2. Handgrip
3. Armrest
4. Seat
5. Footrest
6. Foot plates
7. Front wheel
8. Frame cross
9. Rear wheel
10. Hand rim
11. Parking brake
12. Backrest folding lever (only Eclips X2 Kids)
13. Lever backrest inclination (only Eclips X2 30° Kids)
14. Push bar (only Eclips X2 30° Kids)
15. Identification plate



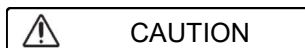
2 Before use

2.1 Intended use

In this paragraph a brief description of the intended use of your wheelchair is given. Additionally, relevant warnings are added to the instructions in the other paragraphs. In this way we would like to make you aware of the possible misuse that may appear.

- Indications and contraindications: The wheelchair can be operated by an attendant or by the user sitting in the wheelchair. You should NOT use this wheelchair without attendant if you suffer from physical or mental impairments that may put you, or other people, in danger when riding the wheelchair. For this reason, consult your doctor first and make sure that your specialist dealer is informed about his/her advice.
- This wheelchair is suitable for indoor and outdoor use.
- This wheelchair is designed and produced solely to transport/transfer one (1) person with a maximum weight of 60kg. It is not designed for transport of goods or objects, nor for any other use than the transfer previously described.
- If applicable, only use accessories and spare parts approved by Vermeiren.
- Please read all technical details and limits of your wheelchair in §6.
- The warranty of this product is based on normal use and maintenance as described in this manual. Damage to your product caused by improper use or lack of maintenance will cause the warranty to lapse.

2.2 General safety instructions



CAUTION

Risk of injuries and/or damage

Please read and follow the instructions in this manual. Otherwise you may get injured or your wheelchair may get damaged.

Keep the following general warnings in mind during use:





- Do not use your wheelchair if you are under influence of alcohol, medicines or other substances that may influence your riding abilities. This also counts for your attendant operating the wheelchair.
- Be aware that some parts of your wheelchair may get very hot or cold due to ambient temperature, solar radiation or heating devices. Be careful when touching. Wear protective clothing if the weather is cold.
- Do not modify your wheelchair in any way.
- To prevent injury and/or damage to your wheelchair, make sure that no objects and/or body parts are caught in the spokes of the driving wheels.

Be aware that your wheelchair may interfere with some types of anti-theft systems, depending on the settings used. This may cause the shop's alarm to go off.


In case a serious incident has occurred involving your product, notify Vermeiren or your specialist dealer as well as the competent authority in your country.

2.3 Symbols on the wheelchair

The symbols in following list are applicable for your wheelchair. Symbols can be found in the relevant ISO standard (ISO 7000, ISO 7001 and IEC 417).

	Maximum weight of user
	Indoor / outdoor use
	Maximum safe slope in ° (degrees).
	Type designation

2.4 Transport in a vehicle

 **WARNING** Risk of injuries

Do NOT use your wheelchair as seat in a vehicle, see the following symbol.
Never use the same safety belt for passenger and wheelchair.



1. As user, transfer to a seat of the car, see §3.5.
2. Fold the wheelchair to its most compact size according to the instructions in §2.6.
3. Store the wheelchair and its wheels in the luggage compartment. If luggage and passenger compartments are NOT separated or enclosed, fasten the wheelchair frame securely to the vehicle.

2.5 Folding/Unfolding the backrest (Eclips X2 Kids)

To fold the backrest

1. Press both levers (15) to unlock the backrest tubes.
2. Bend the upper part of the backrest down by the handles till it is fully folded.




To unfold the backrest

1. Unfold the backrest (1) by pulling the handles (17) upwards until the frame tubes are locked in place.
2. Check whether the backrest is firmly secured.



2.6 Folding/Unfolding the wheelchair

 **CAUTION** Chance of pinching – Do not place fingers between the components of the wheelchair.

To fold:

1. Fold or remove the footplates (see § 3.2).
2. Take the seat on the front side and backside and pull it up.
3. Push the handgrips to fold up the wheelchair further.

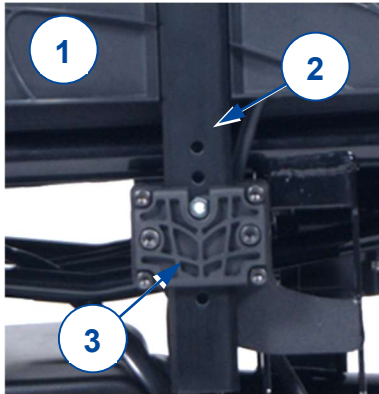
To unfold:

1. Position yourself behind the wheelchair.
2. Use the handgrips to open the wheelchair as much as possible.
3. Position yourself at the front of the wheelchair.
4. Push both seating tubes down until they are fixed in position.

2.7 Mounting or removing the arm support

 CAUTION Risk of injuries and/or damage

- Check that the arm pads are at the same height on each side.



Mount the armrest (1) by sliding the support rod (2) down into the frame (3).

To remove the armrest (1), lift it up and out of the seat frame.

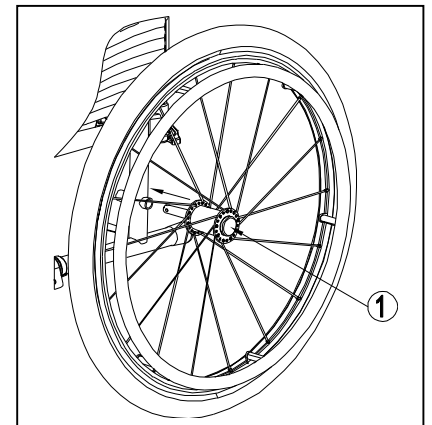
2.8 Mounting/Taking off the rear wheels (if available)

To remove the rear wheels

1. Press and hold button (1) while sliding the wheel axle out of the hole of the frame.
2. Repeat this for the other wheel and place the wheelchair gently on the rear frame tubes.

To install the rear wheels

1. Take one of the rear wheels and lift the wheelchair on one side.
2. Press and hold button (1) while sliding the wheel into the axle bushy.
3. Release the button to lock the wheel. Make sure it clicks into place.
4. Repeat this for the other wheel.
5. Ensure that both wheels are firmly secured.



2.9 Storage

- i** Make sure that your wheelchair is stored in a dry environment to prevent mould from growing and the upholstery from being damaged, see also chapter 6.

3 Using your wheelchair



WARNING

Risk of injuries

- First read previous chapters and inform yourself about the intended use. Do NOT use your wheelchair unless you have read and fully understood all instructions.
- In case of doubts or questions, do not hesitate to contact your local specialist dealer, your care provider or technical adviser to help you on this.
- Make sure that your hands, clothes, belts, buckles or jewellery don't get caught by wheels or other moving parts, during use or adjustment.

3.1 Parking brakes



CAUTION

Risk of injuries

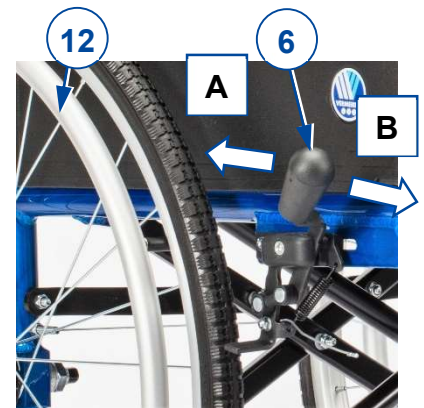
- An attendant should operate the brakes if you have impaired mobility.
- Make sure that the wheelchair is on a flat horizontal surface before releasing the parking brakes.
- Never release both brakes simultaneously.
- Brakes may ONLY be adjusted by your specialist dealer.

Applying brakes [B]:

1. Hold one hand rim (12) tight with one hand.
1. Push brake lever (6) of the OTHER wheel to the FRONT until you feel a distinctive lock.
2. Repeat this for the second wheel and parking brake.

Releasing brakes [A]:

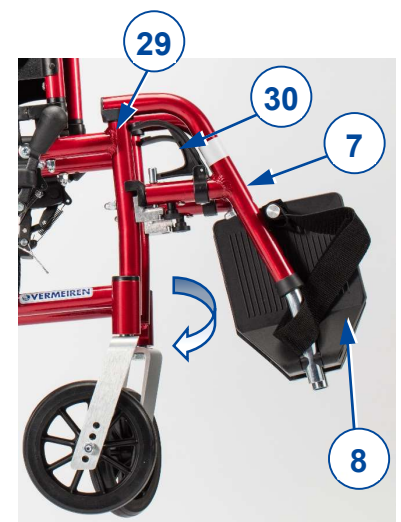
1. Hold one hand rim (12) tight with one hand.
2. Pull brake lever (6) of the OTHER wheel to the REAR.
3. Repeat this for the second wheel and parking brake.



3.2 Footplates and footrests

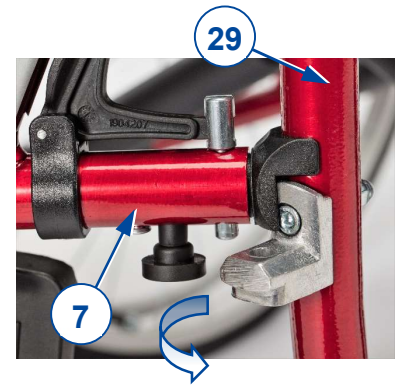
To remove the footrest

1. Turn the footplates (8) upwards.
2. Pull the lever (30) on the footrest.
3. Swing the footrest (7) to the outside of the wheelchair.
4. Take footrest out of the footrest support (29).
5. Repeat for the second footrest.



To install the footrest

1. Place the footrest (7) in the footrest support (29), holding the footrest on the side of the wheelchair.
2. Swing footrest (7) inwards until it clicks in position.
3. Swing footplate (8) downwards.
4. Repeat for the second footrest.
5. Make sure that the footrests are firmly secured.



3.3 Backrest inclination (Eclips X2 30° Kids)



WARNING

Risk of injuries

- Be aware that the stability decreases when backrest is adjusted backwards.
- Apply the parking brakes before adjusting the backrest.

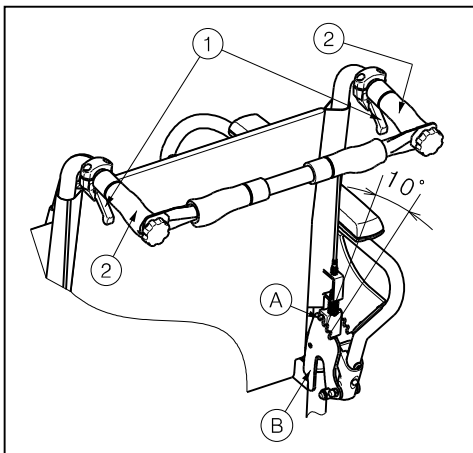


CAUTION

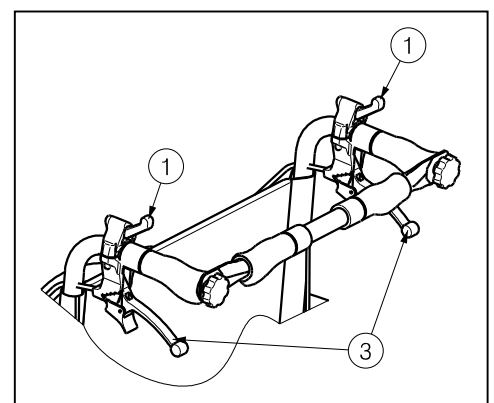
Risk of injuries

- Do not place your fingers, clothes between the adjustment mechanism.

For model Eclips X2 30° Kids, it is possible to set the backrest backwards with a maximum inclination of 30° (4 different positions: steps of 10°). Make sure that the patient sits in the chair when the attendant adjusts the backrest inclination and that the wheelchair does not tip over.



1. Pull the lever ① on both sides towards the push handle ② to adjust the backrest.
2. The pen ① comes out of the groove of the toothed plate ②.
3. Pull both back tubes backwards continuously to the desired position (4 different positions: 5° - 15° - 25° - 35°).
4. Release the levers. Check that the pen ① is well fixed in the groove of the toothed plate ②.



If your wheelchair features drum brakes, the handles ③ are used as brakes.

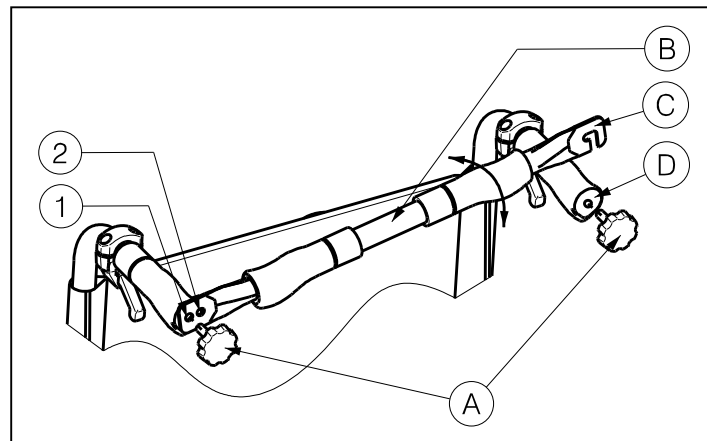
3.4 Mounting or removing the push bar (Eclips X2 30° Kids)



WARNING

Risk of injuries

- Make sure that buttons ① are tightened.
- When equipped with the push bar, the push bar should always be mounted to increase the stability of the back.



To mount the push bar:

1. Mount the push bar **B** with the star knob **A** in the left handgrip.
2. Swing the push bar **B** to the right.
3. Mount hook **C** over the right handgrip **D** as shown on the drawing. Use holes **1** or **2** to adjust the tension of the backrest.

To take off the push bar:

1. Loosen the star knob **A** on the right handgrip.
2. Remove hook **C** from the right handgrip **D**.

3.5 Moving to/from the wheelchair

 CAUTION Risk of injuries or damage

- In case you cannot perform the transfer in a safe manner, ask someone to assist you.
- Do not stand on the footplates during transfer into or out of the chair.

Transfer

1. Position the wheelchair as close as possible when sitting in your chair, couch, seat or bed.
2. Apply both parking brakes to block the movement, see §3.1.
3. Turn the footrests to the side, or fold the footplates up to prevent standing on them.
4. If necessary, remove one armrest to make room.
5. Transfer to/from the wheelchair using the strength of your arms or with the help of attendant(s) or lifting equipment.

Sitting in the wheelchair

1. Sit down on the seat with your lower back against the backrest.
2. Turn the footrests to the front until they click into place, or fold down the footplates and put your feet on them.

3.6 Riding

 CAUTION Risk of entrapment

- Prevent your fingers from being caught by the wheel spokes.
- Prevent entrapment of your hands on the hand rims when you pass small passages.
- When driving with an attendant, keep your arms away from the wheels and keep your feet on the footplates.

 CAUTION Risk of injuries and damage

- Do NOT drive on slopes, obstacles, steps or kerbs larger than the size described in the technical specification in chapter 6.

**CAUTION****Risk of injuries and damage**

- Do not proceed with your wheelchair in traffic. Always stay on the pavement.
- Do not operate the hand rims with wet hands.
- Pay attention if the road has holes or gaps that may cause entrapment of the wheels.
- Avoid stones and other objects that may block the wheels.
- Always keep the swing range of the footrest in mind to prevent bystanders to be injured or objects damaged.
- Before every usage, make sure that:
 - the brakes are working properly.
 - the tyres are in good condition, see §5.1.1.

3.6.1 Riding with an attendant

1. Release the parking brakes or have them released by the attendant, while he/she is holding the wheelchair to prevent movement, see §3.1.
2. The attendant grasps the handgrips to push the wheelchair in the desired direction.
3. After stopping, apply the parking brakes while holding the wheelchair, see §3.1.

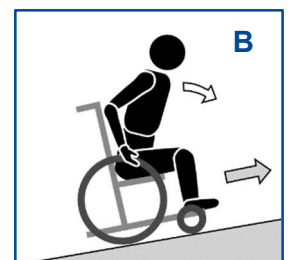
3.6.2 Riding on your own

1. Release the parking brakes one by one, see §3.1.
2. Move your hands to the highest position on both hand rims.
3. Lean forward and push/turn the hand rims forward until your arms are straightened.
4. Swing your arms loosely back to the topside of the hand rims and repeat the push movement.
5. To stop: wait till the wheelchair stops and move forward/backward by operating the hand rims.
6. Apply the parking brakes one by one, see §3.1.


3.6.3 Riding on slopes**CAUTION****Risk of injuries**

- If the attendant has too little strength to control the wheelchair, stop riding and use the brakes immediately.
- When you stop on a (small) slope, use your brakes, since the wheelchair may start moving unexpectedly.
- Make sure all four wheels touch the ground while riding up or down a slope.
- Take slopes as slow as possible.

1. If available, wear your safety belt.
2. If necessary and if possible, ask an attendant or a bystander to help you.
3. Drive slowly and in a straight line. Lean slightly forward (A/B) when going up the slope. Lean backwards, against the backrest when going down the slope.
4. Never reverse on a slope.



3.6.4 Coping with obstacles

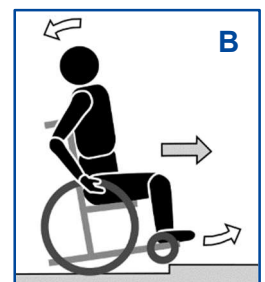
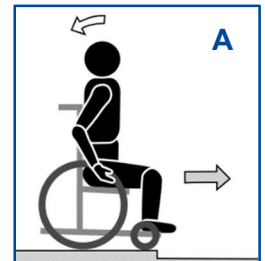
 **CAUTION** Risk of injuries caused by tipping over

- If you do not have enough experience driving the wheelchair, ask assistance of an attendant.
- Make sure that the footplates won't touch ground while taking an obstacle. If necessary, remove the footrests.
- Do not use your wheelchair on an escalator.
- If available, wear your safety belt.

Riding without attendant

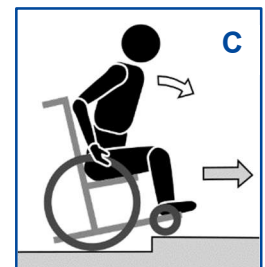
A/B. Small steps or kerbs (up or down):

1. Move forward approaching the kerb (A).
2. Make sure the footplates won't touch the kerbs.
3. Lean backwards to reduce the pressure on the front wheels (B).
4. Move the wheelchair forward till the front wheels are on the higher/lower part of the kerb.
5. Slowly ride the kerb up or down with the rear wheels. Hold the hand rims firmly to control the movement.



C. Climb higher steps or kerbs:

1. Move forward approaching the kerb to climb.
2. Make sure the footplates won't touch the kerbs.
3. Lean backwards till you balance on the rear wheels and move forward while balancing on 2 wheels (B).
4. When the front wheels are over the kerb, bend forward to get stability (C).
5. Move forward by rolling the rear wheels on the kerb.



D. Descend higher steps or kerbs:

1. Reverses the transfer so that rear wheels approach the kerb first (D).
2. Lean forward to move your centre of gravity to the front.
3. Move close to the kerb.
4. Slowly ride the kerb down backwards. Hold the hand rims firmly to control the movement.



Riding with an attendant

Small kerbs (up or down) can be taken forward (E / F):

1. The attendant moves the wheelchair forward approaching the kerb. Make sure the footplates won't touch the kerbs.
2. Lean backwards to reduce the pressure on the front wheels.
3. The attendant holds the handles firmly while moving forward. If necessary he uses the tip cap to keep the front wheels lifted till they have passed the kerb rim.
4. The attendant releases the pressure on the handles and tip cap to put the front wheels on the ground.
5. Next, he holds the handles firmly while pushing the wheelchair with the rear wheels up/down the kerb.

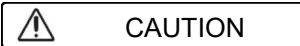


Higher kerbs should be taken backwards

1. The attendant reverses the wheelchair so that rear wheels approach the kerb first (G / H).
2. Going down: Lean forward (G) to move your centre of gravity to the front.
Going up: Lean backward (H) to move your centre of gravity to the back.
3. The attendant pulls the wheelchair gently from/on the kerb.



3.6.5 Using stairs



CAUTION

Risk of injuries caused by tipping over

- Stairs should always be negotiated with the help of two attendants.
- Never try to use stairs that are not appropriate for wheelchairs.

To use the stairs while sitting in your wheelchair, the following instructions should be followed:

1. One attendant tips the wheelchair slightly backwards by the handles.
2. The second attendant grabs the wheelchair at the front of the frame, on both sides of the wheelchair.
3. Stay calm, avoid sudden movements and keep your arms inside the wheelchair.
4. Both attendants lift and pull the wheelchair from step to step while the rear wheels roll over the steps.



4 Installation and adjustment

The instructions in this chapter are for the specialist dealer.

 CAUTION Risk of injuries or damage

- Be aware of the technical details and limits of intended use.
- The wheelchair needs to be (dis)assembled and adjusted by a specialist dealer according to the instructions in this chapter.
- Only use parts and tools described in this manual.
- Prevent bystanders from accessing the working area.
- Collect all small parts in a box or bag.
- While adjusting and operating the wheelchair, make sure no objects or body parts get caught between moving parts. In particular, pay attention to the position of the cables.
- Make sure all screws are firmly secured before riding your wheelchair.

i For more information, contact your specialist dealer or the nearest Vermeiren facility.

4.1 Tools

To (dis)assemble and adjust the wheelchair, the following tools are needed:

- Allen keyset no. 4, 5 and 6
- Wrench set no. 10 and 13

4.2 Scope of delivery

The following items are part of the delivery:

- Frame including back and seat
- Wheels
- Footrests
- Armrests
- Instruction manual
- Tools
- Accessories (if applicable)

Before use, check that everything is included and that no products are damaged.

Please note that the basic configuration may differ in different European countries. Contact your specialist dealer.

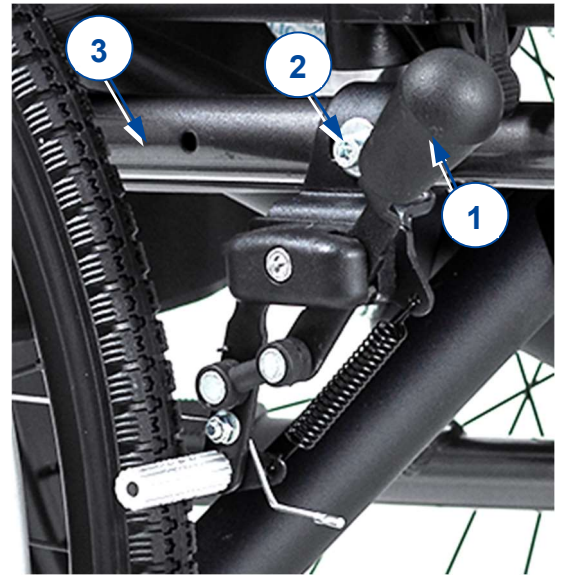
4.3 Assembly and disassembly

The assembly and disassembly of the wheelchair is described in §2.

4.4 Adjusting the wheelchair to the user

4.4.1 Adjusting the parking brakes

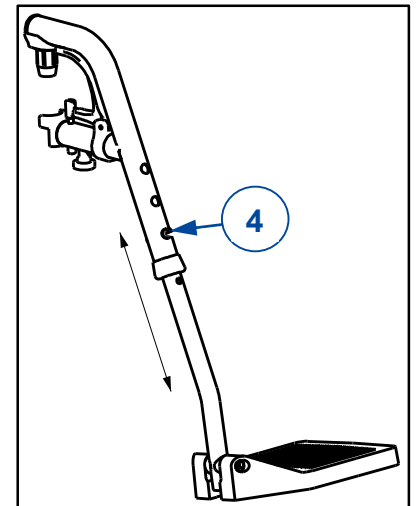
1. Install the wheels according to §2.8.
2. Disconnect the brakes by pulling lever (1) backwards.
3. Loosen the bolt (2) so the brake mechanism can slide over the tube (3) of the side frame.
4. Pull the brake mechanism to the desired position.
5. Retighten the bolt (2).
6. Check working of the brakes.
7. If necessary, repeat the above steps until the brakes are well adjusted.



4.4.2 Adjusting the footrest length

Adjust the length of the footrest as follows (3 positions possible on outside tubes, steps of 35 mm ; 6 positions possible on inner tubes, steps of 25 mm) :

1. Remove the screw (4).
2. Adjust the length of the footrest to a comfortable length.
3. Tighten the screw (4) properly.



4.5 Changing pneumatic tyres (if applicable)

 **CAUTION** Risk of injuries and damage

- Make sure all air is released from the tyre, before removing it.
- Make sure that no body parts, the inner tube nor any other objects are pinched between tyre and rim.
- Make sure all screws are firmly secured by hand before driving with the wheelchair.
- Make sure that the pressure is correct, see the pressure indication on the tyres.
- Inflate the tyre using inflating equipment which complies to regulations and with a pressure indication in "bar".
- Only use replacement parts approved by Vermeiren.

To change the tyre or inner tube, proceed as follows:

1. Let all the air out of the inner tube.
2. Insert a tyre lever between the tyre and the rim.
3. Gently push the tyre lever downwards. This will pull the tyre over the edge of the rim.
4. Move the lever along the rim so the tyre pops out.
5. Carefully remove the tyre from the rim and remove the tube.



Place the rim belt in position over the air valve before inserting it into the rim. The rim belt can now be pulled over easily. Check that all spoke heads are covered (a rim belt is not required in the case of a plastic rim).

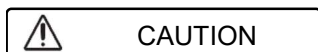


Push the tyre over the edge of the rim, starting behind the air valve. Inflate the tube slightly until it is round, and place it inside the tyre.



If the tube fits inside the tyre without any folds (in case of folds: let out some air), then the upper side of the tyre can be pressed lightly onto the rim with both hands, starting at the air valve. Lightly push the air valve inwards and pull it out again to make sure that the tyre is positioned properly in the region of the air valve.

5 Maintenance



Risk of injuries and damage

Repairs and replacements may only be undertaken by trained persons and only genuine replacement parts of Vermeiren should be used.

- i** The last page of this manual contains a registration form for the specialist dealer to record each service.
The service frequency depends on the frequency and intensity of use. Contact your dealer to agree to a common timetable for inspection/maintenance/repair.

Before each use

Inspect the following points:

- All parts: Present, undamaged and unworn;
- All parts: Clean, see § 5.1.2;
- Wheels, backrest, seat, calf support, armrests, footrests: Well secured;
- Condition of wheels/tyres, see § 5.1.1;
- Condition of frame: No deformation, instability, weakness or loose connections;
- Seat, backrest, arm and calf pads, headrest (if applicable): No excessive wear (like dented spots, damage or tears);
- Condition of brakes: Undamaged and in good working order.
- For Eclips X2 30° Kids: Backrest inclination: Undamaged and functioning well (locking, load, no deformation or wear).

Contact your specialist dealer for possible repairs or part replacements.

Yearly or more often

Have your wheelchair inspected and serviced by your specialist dealer, at least once a year, or more often. The minimum maintenance frequency depends on use and should therefore be commonly agreed on with your specialist dealer.

If stored

Make sure that your wheelchair is stored dry to prevent mould to grow and damage the upholstery.

5.1 Maintenance instructions

5.1.1 Wheels and tyres

- i** Proper working of the brakes depends on the state of the tyres, that can change due to wear and contamination (water, oil, mud, ...).

Keep your wheels free of wires, hair, sand and carpet fibres.

Check the profile of the tyre/rear wheel. If the tread depth is less than 1 mm, the tyres/wheels need to be replaced. Contact your specialist dealer for this matter.

5.1.2 Cleaning



Risk of damage by moisture

- Never use a hose or high-pressure cleaner to clean the wheelchair.

Wipe all rigid parts of the wheelchair with a damp cloth (not drenched). If necessary, use a mild soap, suitable for varnishes and synthetics.

The upholstery can be cleaned with lukewarm water and a mild soap. Do not use abrasive cleaning agents to clean.

5.1.3 Disinfection

CAUTION

Risk of damage

Disinfections may only be undertaken by trained persons. Consult your specialist dealer.

5.2 Troubleshooting

Even if you use your wheelchair properly, a technical problem may occur. If this is the case, contact your local specialist dealer.



WARNING

Risk of injuries and damage to the wheelchair

- NEVER attempt to repair the wheelchair yourself.

The following symptoms may indicate a serious problem. Therefore always contact your specialist dealer if you spot any of the following deviations:

- Strange sound;
- Uneven tread wear on one of the tyres;
- Jerky movements;
- Wheelchair deflects to one side;
- Damaged or broken wheel assemblies.

5.3 Expected lifespan

The average lifespan of your wheelchair is 5 years. Depending on the frequency of use, driving circumstances and maintenance, the lifespan of your wheelchair will increase or decrease.

5.4 Reuse

Before each reuse, have the wheelchair disinfected, inspected and serviced according to the instructions in §5.1.

5.5 End of use

At end of life, you need to dispose your wheelchair according to the local environmental legislation. The best way to do so, is to disassemble the wheelchair to facilitate the transport of recyclable parts.

6 Technical specifications

The technical details below are only valid for this wheelchair, at standard settings and optimal ambient conditions. Take these details into account during use.

The values are no longer applicable if your wheelchair has been modified, damaged or suffers from severe wear.

Table 1: Technical specifications Eclips X2 Kids, Eclips X2 30° Kids

Brand	Vermeiren
Type	Wheelchair
Model	Eclips X2 Kids, Eclips X2 30° Kids

Description	Dimensions /specifications	
	Eclips X2 Kids	Eclips X2 30° Kids
Max. weight of user	60 kg	
Overall length with footrest	830 mm	960 mm
Overall width	520 mm	
Folded length without footrest	630 mm	700 mm
Folded width (including wheels)	320 mm	
Total height	930 mm	885 mm
Folded height	930 mm	885 mm
Total mass	13,6 kg	15,3 kg
Mass of heaviest part	7,5 kg	9,2 kg
Static stability downhill	10°	
Static stability uphill	10°	
Static stability sideways	15°	
Seat plane angle	5°	
Effective seat depth	320 mm	
Effective seat width	320 mm 360 mm	
Seat surface height at front edge	440 mm	
Backrest angle	5°	
Backrest height	330 mm	360 mm
Footrest to seat distance	300 mm	
Leg to seat surface angle	98.5°	
Armrest to seat distance	190 mm	
Front location of armrest structure	320 mm	
Hand-rim diameter	440 mm	
Horizontal location of axle (deflection)	21 mm	
Minimum turning radius	750 mm	
Diameter rear wheels	20"	
Diameter steering wheels	125 mm	
Masses of removable parts:		
	Footrest	0,8 kg
	Wheel	1,75 kg
	Armrest	0,5 kg



Description	Dimensions /specifications	
	Eclips X2 Kids	Eclips X2 30° Kids
Storage and use temperature	+5°C ~ +41°C	
Storage and use humidity	30% ~ 70%	
We reserve the right to introduce technical changes. Measurement tolerance ± 15 mm / 1,5 kg / 1,5°.		



Service registration form

This product (name):

was inspected (I), serviced (S), repaired (R) or disinfected (D):

By (stamp): Kind of work: I / S / R / D Date:	By (stamp): Kind of work: I / S / R / D Date:	By (stamp): Kind of work: I / S / R / D Date:
By (stamp): Kind of work: I / S / R / D Date:	By (stamp): Kind of work: I / S / R / D Date:	By (stamp): Kind of work: I / S / R / D Date:
By (stamp): Kind of work: I / S / R / D Date:	By (stamp): Kind of work: I / S / R / D Date:	By (stamp): Kind of work: I / S / R / D Date:
By (stamp): Kind of work: I / S / R / D Date:	By (stamp): Kind of work: I / S / R / D Date:	By (stamp): Kind of work: I / S / R / D Date:
By (stamp): Kind of work: I / S / R / D Date:	By (stamp): Kind of work: I / S / R / D Date:	By (stamp): Kind of work: I / S / R / D Date:



Vermeiren GROUP
Vermeirenplein 1 / 15
2920 Kalmthout
BE

website: www.vermeiren.com

Instructions for specialist dealer

This instruction manual is part and parcel of the product and must accompany every product sold.

Version: C, 2022-07

Basic UDI: 5415174 122106EclipsX2Ki QT
5415174 122106EclX230Ki 6A

All rights reserved, including translation.