

# Installation manual

MANUEL D'INSTALLATION  
INSTALLATIEHANDLEIDING  
INSTALLATIONSANLEITUNG  
MANUALE DI INSTALLAZIONE  
MANUAL DE INSTALACIÓN  
INSTRUKCJA INSTALACJI  
PŘÍRUČKU PRO INSTALACI

**Shell chairs**  
**Fauteuils coquilles**  
**Therapie- und Lagerungsstuhle**  
**Zitschaalstoelen**  
**Seggiole a guscio**  
**Sillas monocarcasa**  
**Wyzki pielęgnacyjne**  
**Zdravotnické křesla**







# Contents

<b>Contents</b> .....	<b>1</b>
<b>Preface</b> .....	<b>2</b>
<b>1 This product</b> .....	<b>3</b>
<b>2 Scope of delivery</b> .....	<b>5</b>
<b>3 Assembly and adjustments</b> .....	<b>5</b>
3.1 Tools .....	5
3.2 Seat height (not for E-versions) .....	6
3.3 Drum brakes (only Coraille types).....	6
3.4 Table B12 (optional, not for XXL versions).....	7

## Preface

To support you on the installation and repairs of this shell chair, we provide you with this installation manual. Please read it carefully. If you still have questions after reading this manual, do not hesitate to contact Vermeiren.

The information in this manual applies to the following shell chair(s):

- Altitude
- Coraille
- Altitude-E
- Coraille-E
- Altitude XXL
- Coraille XXL

### **Important note**

Pictures of the product are used to clarify the instructions. Details of the shown product may deviate from your product.

### **Available information**

On our website <http://www.vermeiren.com/> you will always find the most recent version of the information described in this manual. Please consult this website regularly for possible updates.

Visually impaired people can download the electronic version of this manual and have it read out by means of a text-to-speech software application.



Instruction manual

For user and specialist dealer



Installation manual

For specialist dealer



Service manual

For specialist dealer



EC declaration of conformity

# 1 This product



1. Shell chair
2. Head cushion
3. Body belt
4. Seat cushion
5. Push bar
6. Tilt lever (Altitude, Altitude XXL)
7. Removable upholstery cover
8. Footplate
9. Calf rest
10. Table supports
11. Wheels with brake
12. Footrest lever
13. Handset (Altitude-E)
14. Identification plate

Figure 1 Important parts Altitude, Altitude-E, Altitude XXL



**Figure 2** Important parts Coraille, Coraille-E, Coraille XXL

## 2 Scope of delivery

The following items are part of the delivery.

- Frame with wheels and shell
- Seat cushion
- Footrest with calf rest and footplate(s)
- Head cushion
- Body belt and hip belt
- Tools
- Instruction manual
- Accessories (if applicable)

Before use, check that everything is included and that no products are damaged. Please note that the basic configuration may differ in different European countries. Contact your specialist dealer.

## 3 Assembly and adjustments

 CAUTION Risk of injuries or damage

- Be aware of the technical details and limits of intended use; see the user manual.
- This product needs to be (dis)assembled and adjusted by a specialist dealer according to the instructions in this manual.
- Only use parts and tools described in this manual.
- Prevent bystanders from accessing the working area.
- Collect all small parts in a box or bag.
- While adjusting and operating the chair, make sure no objects or body parts get caught between parts.
- Apply all brakes before assembly, adjustment or operation.
- **Make sure all screws are firmly secured before using the chair.**

### **i** Important remarks

- For more information, contact your nearest Vermeiren office.

### 3.1 Tools

To set up the chair, the following tools are needed:

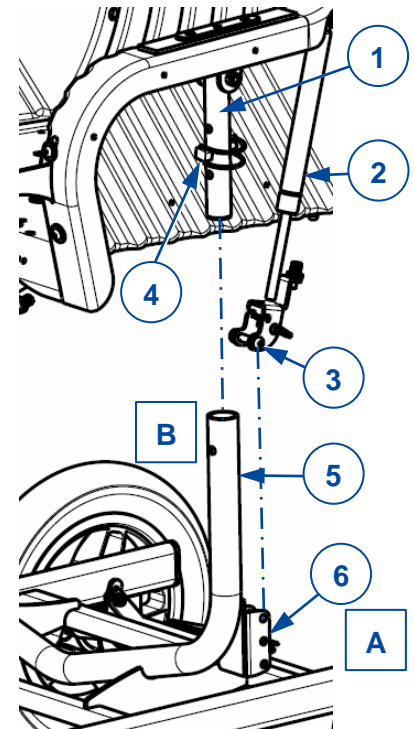
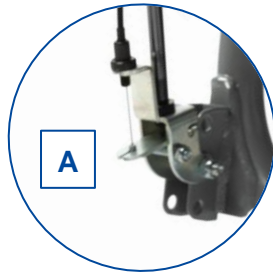
- Allen key no. 5
- Open-end spanner no. 10 and 13
- Open-ring spanner no. 10 and 13

### 3.2 Seat height (not for E-versions)

The seat height can be altered by using a seat cushion of different height, or by adjusting the seat frame height.

The seat-frame height is adjustable in 3 height positions in steps of 25 mm:

1. At location [A], loosen the socket screw-nut connection (3) of the gas spring (2) at the gas-spring support (6).
2. Fold the upholstery of the armrest frame up a bit.
3. At location [B], open the brace and remove fastener pin (4) from the frame tube.
4. Raise/lower the shell to the next adjustment hole on the armrest frame (1). Insert the pin (4) through tubes (5) and (1) and lock its brace.
5. Repeat adjustment [B] on the other side of the shell.
6. Remount the gas spring on the support (6) at location [A].
7. Make sure that all connections are firmly secured.

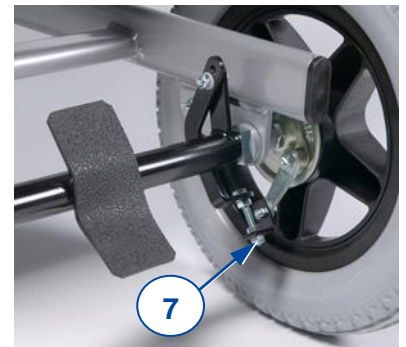


### 3.3 Drum brakes (only Coraille types)

Both brakes can be adjusted by turning the setting bolt (7) at the inside of the rear wheel in/out.

Tighten the position with the two nuts.

Make sure that both brakes are adjusted equally.





### 3.4 Table B12 (optional, not for XXL versions)

 CAUTION Risk of injuries

Before folding the table aside, make sure that no persons or objects will be hit by the table top.

This foldable table – with a cut-out of 30 mm for the abdomen (B12) – can be mounted in the sockets (9) at the right side of the lower shell chair frame. The (dis)mounting of the table is similar for the Coraille and Altitude chairs, except that the Altitude chairs have two tube sockets and the Coraille has only one.

1. Remove both securing knobs (10) from the supports on the frame.
2. Open the table and place the table top on the armrests.
3. Insert the table-tube end into the socket(s) (9) on the lower frame.
4. Make sure that the support-hook (8) of the table fits at the front securing support.
5. Secure the tube end to the underside of the frame with two securing knobs (10); use the long screws at the rear supports.
6. Make sure the star knobs are well secured.





Vermeiren GROUP  
Vermeirenplein 1 / 15  
2920 Kalmthout  
BE

website: [www.vermeiren.com](http://www.vermeiren.com)

### Instructions for specialist dealer

This instruction manual is part and parcel of the product and must accompany every product sold.

Version: B, 2023-07

Basic UDI: 5415174 122103Altitude GQ  
5415174 122103Coraille CV  
5415174 180999Altitude-E 2A  
5415174 180999Coraille-E SW  
5415174 122103CorailleXX ZK  
5415174 122103AltitudeXX 8X

**All rights reserved, including translation.**