

VENUS 4 Sport

AIRTIRES

disassemble
in 4 parts

DELTA steer and
LED lighting

Foldable, detachable and
adjustable armrests

Foldable back and
height-adjustable
swivel chair

Telescopic
steering column

Removable
lithium battery with
anti-theft key

Bumper

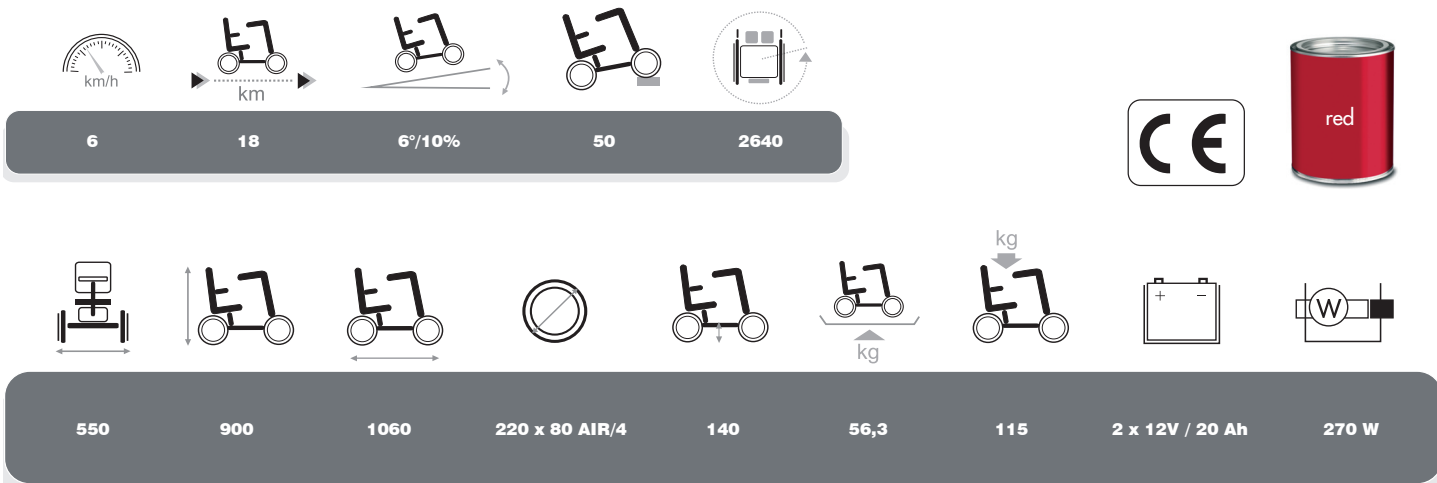
Pneumatic tyres



Model shown only for illustration purposes. Certain features may be optional.

Opening up new horizons in mobility

Technical information Venus 4 Sport Airtires



Measurements in mm and kg. Deviations in sizes and weight (15 mm and 1,5 kg) are possible. Theoretical driving range, in accordance with EU-rules and specifications, calculated under ideal situations. Speeds and driving range may vary (ca. 15%).

Comfort

The Venus 4 Sport Airtires is a compact 4-wheel scooter for indoor and outdoor usage. **DELTA STEER** and **AIRTIRES** provide extra driving pleasure. Just like the regular Venus 4 Sport, this model can also be disassembled into 4 parts without extra tools.

Your guarantee of quality.

Our products comply with the highest quality norms laid down by certified test institutes in most European countries.



N.V. Vermeiren N.V.

Vermeirenplein 1-15
B-2920 Kalmthout
Belgium

Tel.: +32 (0) 3 620 20 20
Fax: +32 (0) 3 666 48 94

www.vermeiren.com - info@vermeiren.com

For more information, contact your local dealer



VERMEIREN
Opening up new horizons in mobility

Subject to technical alterations.